



Technische Daten , Technical Data

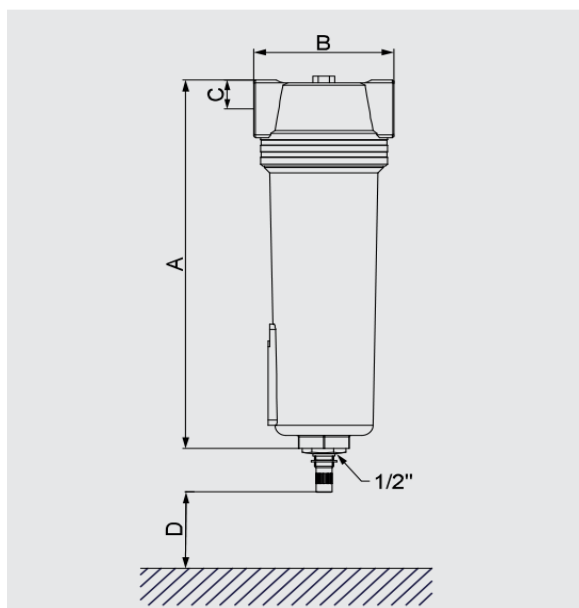
PUREBERG FW, F 02 - 46 (type) W

Typ Type	Artikelanzahl Item number	Verbindung Connection	Max. Oper, Druck, pressure	Fließrate Flow rate At 7 bar(g), 20°C		Maße Dimensions				Gewicht Weight	Allgemeines General	Fein Fine	Super feiner Super fine	Aktivkohle Activated carbon
				Nm3 /h	Scfm	A	B	C	D					
F 02 (type) W	380302*	1/2	20	96	56	256	89	20	80	0.8	02 G	02 F	02 S	02 S
F 03 (type) W	380303*	1/2	20	150	88	278	106	25	100	1.3	03 G	03 F	03 S	03 S
F 04 (type) W	380304*	3/4	20	216	127	278	106	25	100	1.3	04 G	04 F	04 S	04 S
F 05 (type) W	380305*	1	20	282	166	252	125	32	120	2.1	05 G	05 F	05 S	05 S
F 06 (type) W	380306*	1	20	360	212	352	125	32	140	2.4	06 G	06 F	06 S	06 S
F 07 (type) W	380307*	1 1/4	20	432	254	352	125	32	140	2.4	07 G	07 F	07 S	07 S
F 09 (type) W	380309*	1 1/2	20	510	300	450	125	32	160	3.2	09 G	09 F	09 S	09 S
F 13 (type) W	380313*	1 1/2	20	750	441	450	125	32	160	3.2	13 G	13 F	13 S	13 S
F 15 (type) W	380315*	2	20	888	522	605	160	43	180	5.1	15 G	15 F	15 S	15 S
F 20 (type) W	380320*	2	20	1176	692	605	160	43	180	5.1	20 G	20 F	20 S	20 S
F 24 (type) W	380324*	2 1/2	20	1440	847	685	160	43	200	6.3	24 G	24 F	24 S	24 S
F 33 (type) W	380333*	3	20	1968	1158	800	240	60	300	13	33 G	33 F	33 S	33 S
F 46 (type) W	380346*	3	20	2760	1624	800	240	60	300	13	46 G	46 F	46 S	46 S

*Allgemeines / General element (49) , Fein / Fine element (39) , Super Feiner / Super fine element (79) , Aktivkohle / Activeted carbon element (29)

Operating pressure - Correction factors

Operating pressure	4	5	6	7	8	9	10	11	12	13	14	15	16	17	18	19	20
Correction factors	0.63	0.75	0.88	1.00	1.13	1.25	1.38	1.50	1.63	1.75	1.88	2.00	2.13	2.25	2.38	2.50	2.63



ABMESSUNGEN DIMENSIONS