

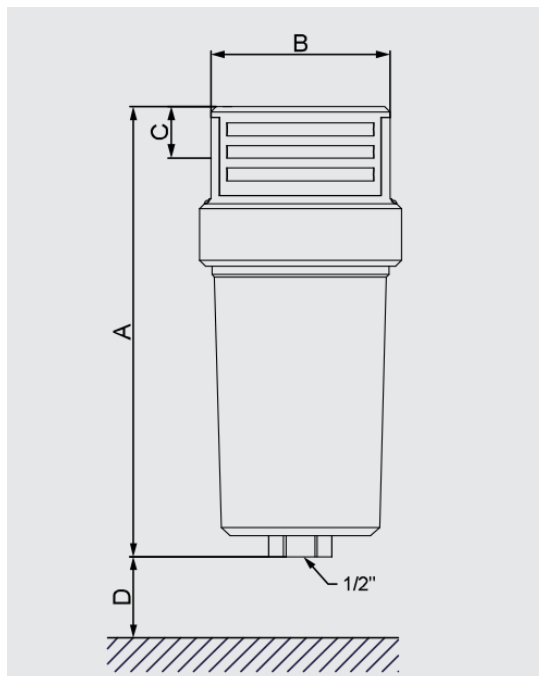


Technische Daten , Technical Data

PUREBERG FWWHP50, F 01 - 08 (type) WWHP50

Typ Type	Artikelanzahl Item number	Verbindung Connection	Max. Oper. Druck, pressure	Fließrate Flow rate At 7 bar(g), 20°C		Temperatur Betriebsbereich Temperature oper. Range		Maße Dimensions				Gewicht Weight
				Nm ³ /h	Scfm	°C	°F	A	B	C	D	
F 01 WWHP50	383019950	1/2	50	71	42	1.5-65	35-149	250	110	30	80	2.1
F 02 WWHP50	383029950	3/4	50	112	66	1.5-65	35-149	250	110	30	90	2.1
F 03 WWHP50	383039950	1	50	204	120	1.5-65	35-149	250	110	30	140	2.1
F 05 WWHP50	383059950	1 1/2	50	282	166	1.5-65	35-149	535	160	45	260	9.5
F 07 WWHP50	383079950	1 1/2	50	400	235	1.5-65	35-149	535	160	45	360	9.5
F 08 WWHP50	383089950	2	50	494	291	1.5-65	35-149	715	160	45	540	12.2

Operating pressure - Correction factors											
Operating pressure	17	18	19	20	25	30	35	40	45	50	
Correction factors	0.44	0.46	0.48	0.50	0.61	0.70	0.78	0.86	0.93	1.00	



ABMESSUNGEN
DIMENSIONS