



Technische Daten , Technical Data

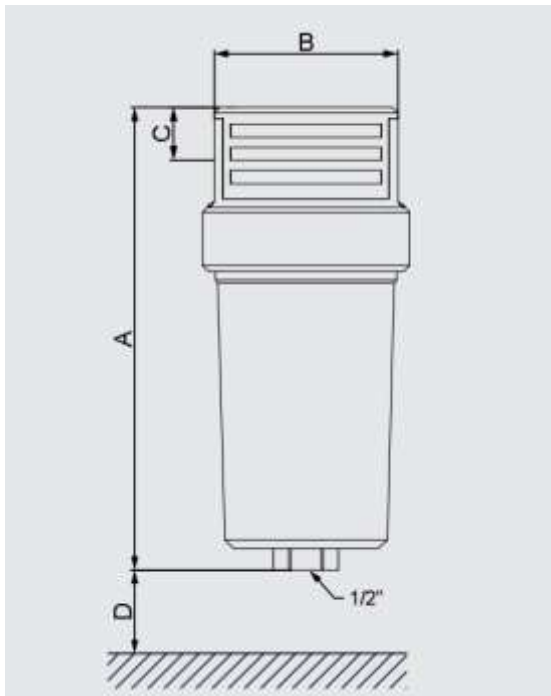
PUREBERG FWHP50, F 01 - 08 (type) WHP50

| Typ Type | Artikelanzahl Item number | Verbindung Connection | Max. Oper, Druck, pressure | Flierate Flow rate At 7 bar(g), 20°C | | Mae Dimensions | | | | Gewicht Weight | Fein Fine | Super feiner Super fine | Aktivkohle Activated carbon |
|-------------------|------------------------------|--------------------------|-------------------------------|---|------|--------------------|-----|----|-----|-------------------|--------------|----------------------------|--------------------------------|
| | | | | | | A | B | C | D | | | | |
| F 01 (type) WHP50 | 38301*50 | 1/2 | 50 | 433 | 265 | 250 | 110 | 30 | 80 | 2.4 | 01 FHP | 01 SHP | 01 AHP |
| F 02 (type) WHP50 | 38302*50 | 3/4 | 50 | 683 | 402 | 250 | 110 | 30 | 90 | 2.4 | 02 FHP | 02 SHP | 02 AHP |
| F 03 (type) WHP50 | 38303*50 | 1 | 50 | 1244 | 732 | 250 | 110 | 30 | 140 | 2.4 | 03 FHP | 03 SHP | 03 AHP |
| F 05 (type) WHP50 | 38305*50 | 1 1/2 | 50 | 1720 | 1012 | 535 | 160 | 45 | 260 | 6.1 | 05 FHP | 05 SHP | 05 AHP |
| F 07 (type) WHP50 | 38307*50 | 1 1/2 | 50 | 2440 | 1433 | 535 | 160 | 45 | 360 | 6.1 | 07 FHP | 07 SHP | 07 AHP |
| F 08 (type) WHP50 | 38308*50 | 2 | 50 | 3013 | 1775 | 715 | 160 | 45 | 540 | 13.0 | 08 FHP | 08 SHP | 08 AHP |

*Fein / Fine element (39) , Super Feiner / Super fine element (79) , Aktivkohle / Activeted carbon element (29)

Operating pressure - Correction factors

| | | | | | | | | | | |
|--------------------|------|------|------|------|------|------|------|------|------|------|
| Operating pressure | 17 | 18 | 19 | 20 | 25 | 30 | 35 | 40 | 45 | 50 |
| Correction factors | 0.44 | 0.46 | 0.48 | 0.50 | 0.61 | 0.70 | 0.78 | 0.86 | 0.93 | 1.00 |



ABMESSUNGEN DIMENSIONS