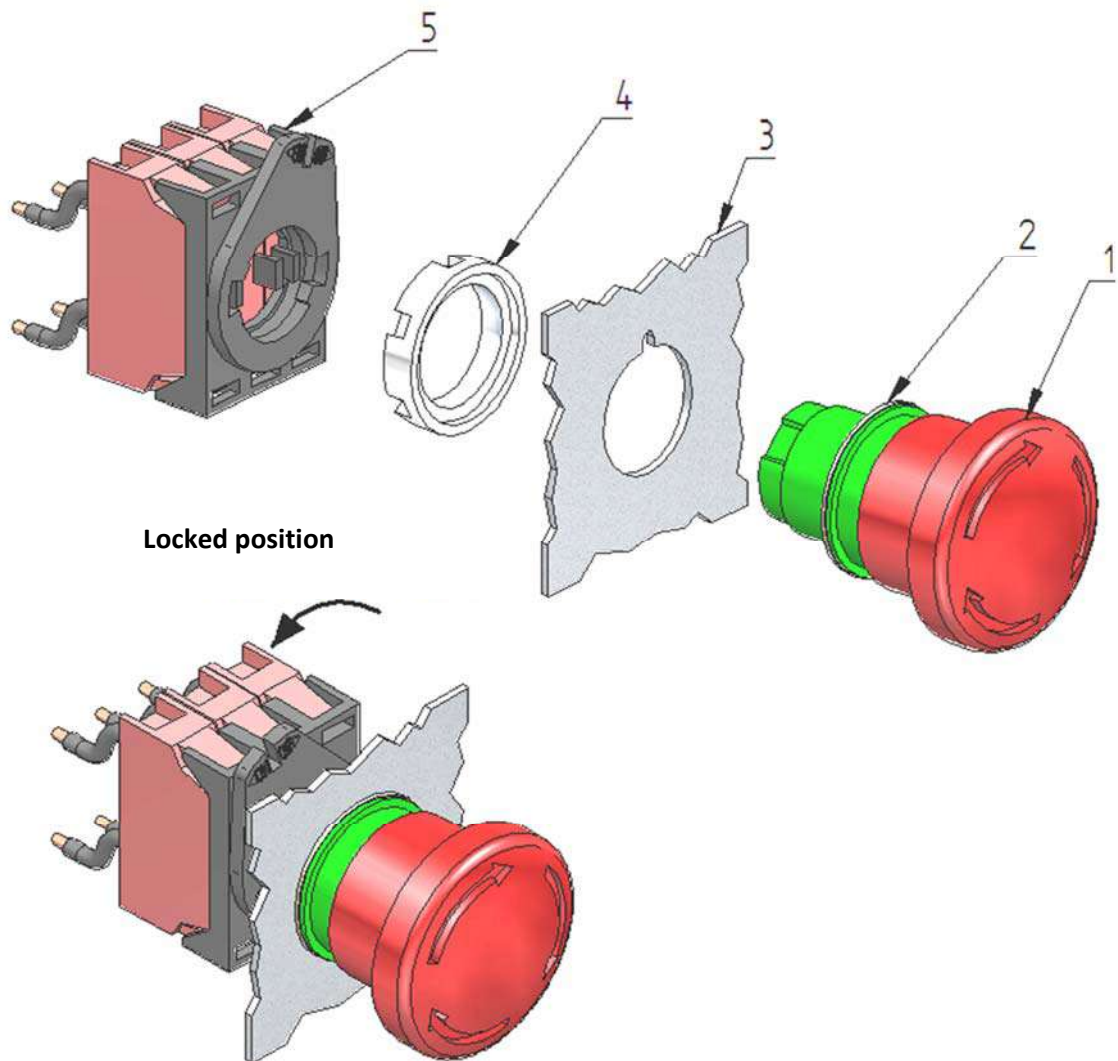


# PROCEEDING BEFORE THE FIRST SCREW COMPRESSORS OPERATION

It is essential to follow the rules listed below before the first operation:

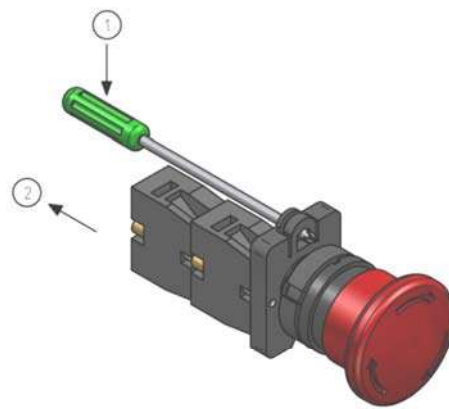
- 1) Observe the instructions provided in the Manual and Warranty Book (point 6 in particular).
- 2) Remove the shipping bracket (red colour) from the motor, screw stage and oil tank (If shipping brackets have been installed by the manufacturer).
- 3) Depending on the type of safety button used, perform the following steps:

- 3) Install **PPFN1R4N** safety button in accordance with the following instructions and Fig.1:  
(remark: installation should be performed by a person with electrical powers up to 1kV )
- 4.1) Open the control panel door (electrical box).
  - 4.2) Put elements 1 and 2 through the hole in the control panel (3).
  - 4.3) Tighten the nut (4) to the button.
  - 4.4) Install item (5) in the OFF position onto the button (shown on Fig 1).
  - 4.5) When item (5) is placed properly switch (lock) the element into ON position (locked position in the figure).
  - 4.6) Check the proper operation by pressing the button.



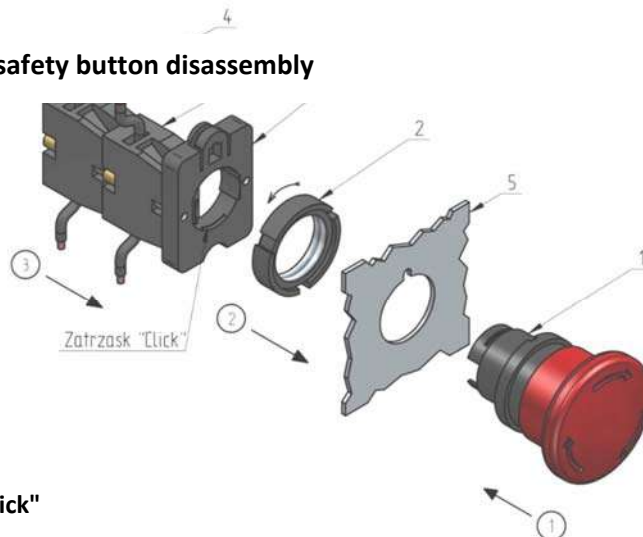
**Fig.1 PPFN1R4N safety button assembly before the first operation**

- 4) Install **AES** safety button in accordance with the following instructions and Fig.1, Fig.2:  
(remark: installation should be performed by a person with electrical powers up to 1kV )
- 5.1) Open the control panel door (electrical box).
  - 5.2) Insert a Phillips screwdriver into the notch of the element 3; push down (towards '1' direction) by releasing the latch; remove the electrical connection (elements 3, 4) from the button mushroom cap of element 1 (towards '2' direction) - fig. 1.
  - 5.3) Put elements 1 through the hole in the control panel (5).
  - 5.4) Tighten the nut (2) to the button.
  - 5.5) Connect the electrical connection (elements 3, 4) to the button (towards '3' direction) - fig. 2.
  - 5.6) Snap the latches of the element 3 onto the corresponding cavities of the element 1.
  - 5.7) Check the proper operation by pressing the button.



Rys 1 Demontaż przycisku bezpieczeństwa

**Fig.1 AES safety button disassembly**



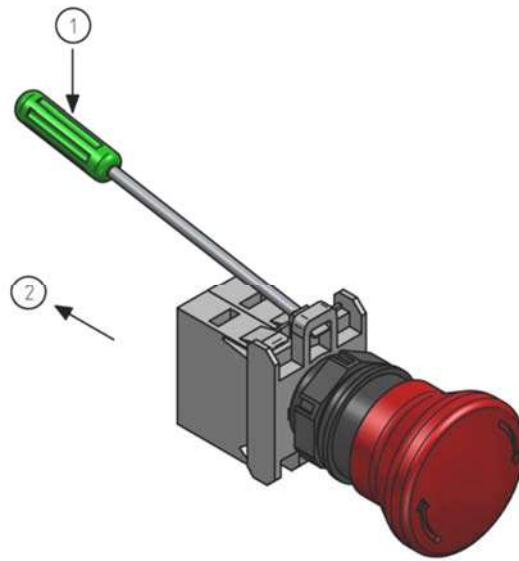
Latch "Click"

Rys 2 Montaż przycisku bezpieczeństwa przed pierwszym uruchomieniem

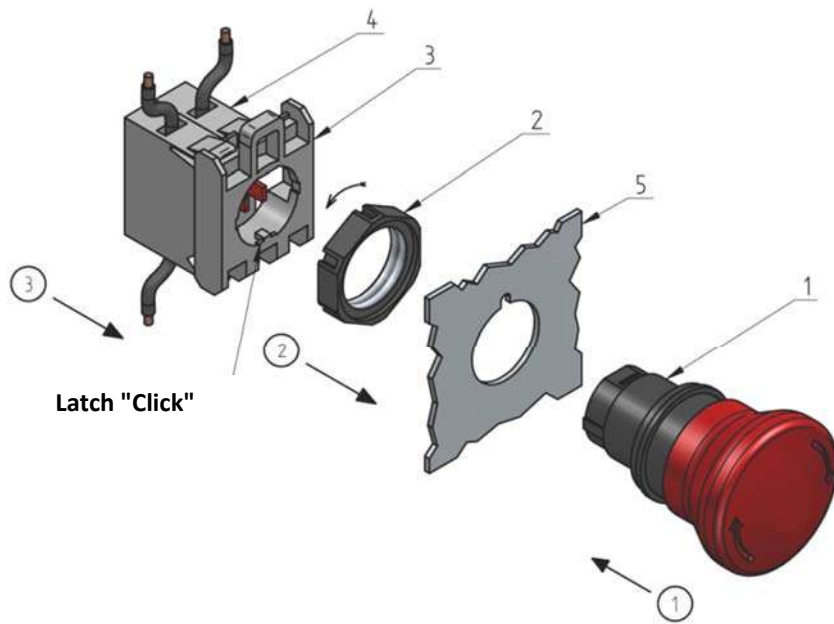
Przycisk awaryjny STOP - "AES"

**Fig.2 AES safety button assembly before the first operation**

- 5) Install **LOVATO** safety button in accordance with the following instructions and Fig.1, Fig.2:  
(remark: installation should be performed by a person with electrical powers up to 1kV )
- 6.1) Open the control panel door (electrical box).
  - 6.2) Insert a flat screwdriver into the notch of the element 3; push down (towards '1' direction) by releasing the latch; remove the electrical connection (elements 3, 4) from the button mushroom cap of element 1 (towards '2' direction) - fig. 1.
  - 6.3) Put elements 1 through the hole in the control panel (5).
  - 6.4) Tighten the nut (2) to the button.
  - 6.5) Connect the electrical connection (elements 3, 4) to the button (towards '3' direction) - fig. 2.
  - 6.6) Snap the latches of the element 3 onto the corresponding cavities of the element 1.
  - 6.7) Check the proper operation by pressing the button.



**Fig.1 LOVATO safety button disassembly**



**Fig.2 LOVATO safety button assembly before the first operation**