



**BERG** Kompressoren GmbH  
Compressed Air Technology | Air Separation

## Operation and Maintenance Manual - Electrical part

Project name: KOMPBERG ZXF 132

Project number: 786-741-000

Index: EIE1112

Index version: 1

Power supply: 400V/50Hz/3ph

Power supply type: L1, L2, L3, PE

Controller: S7-1200

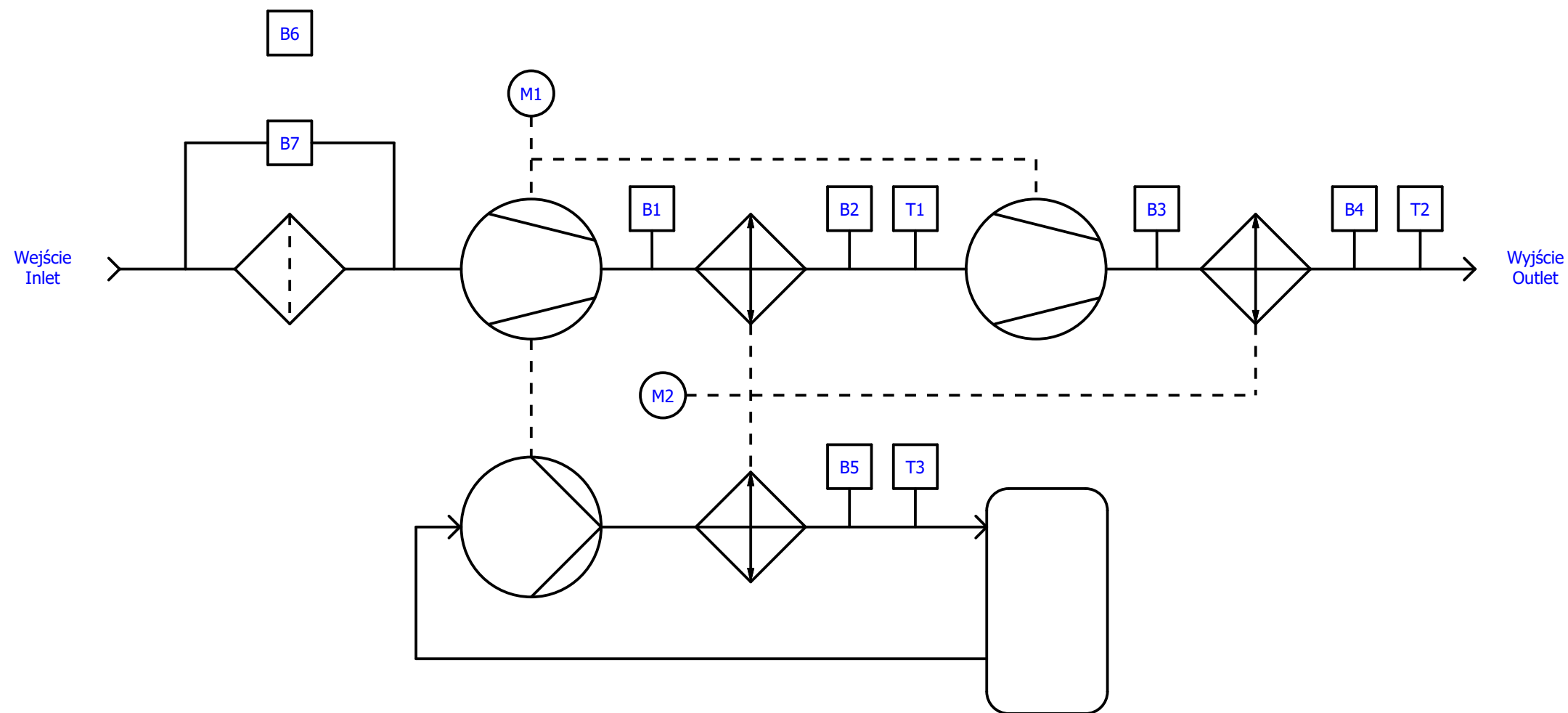
Last change: 11.05.2020

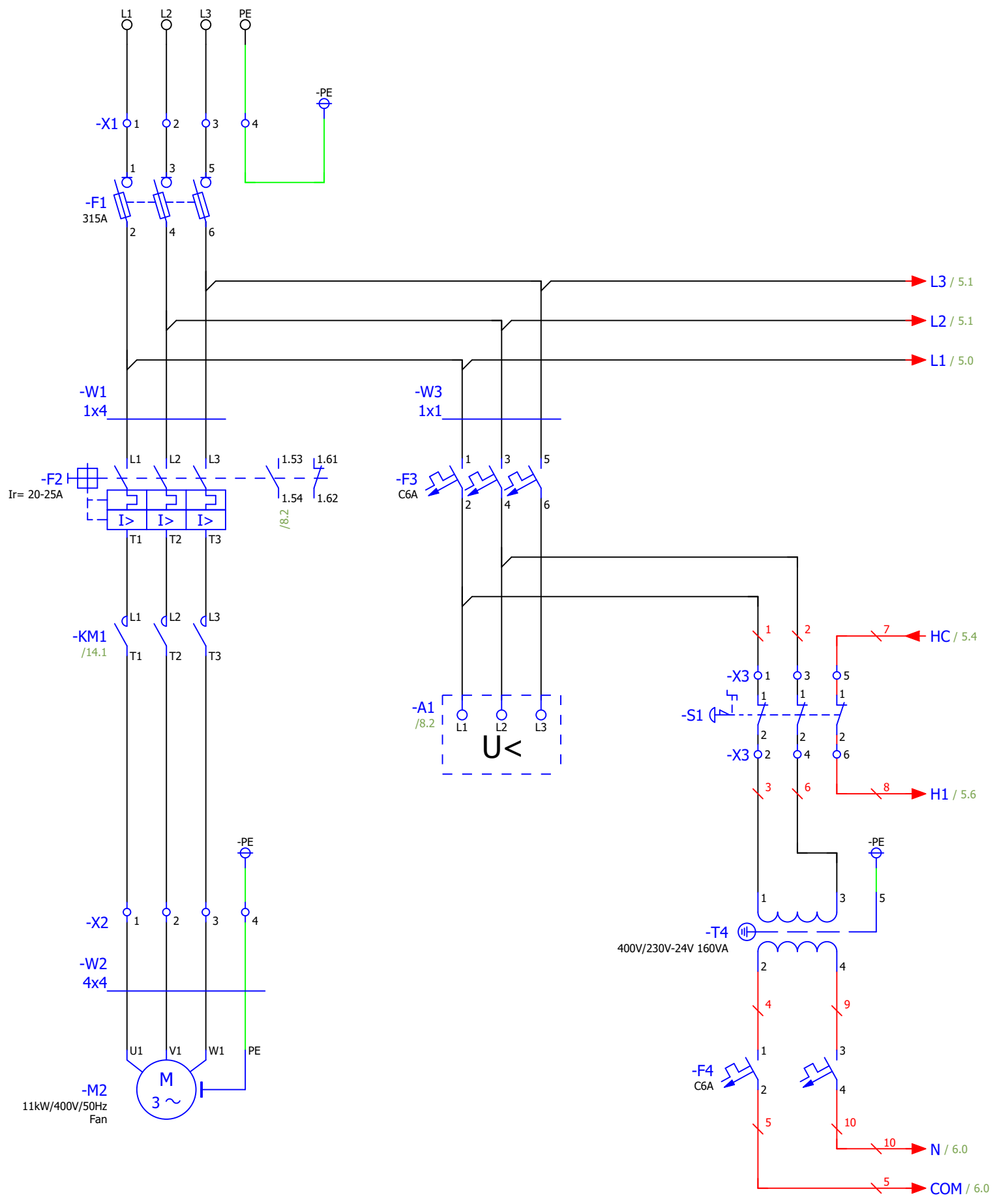
Number of pages: 20

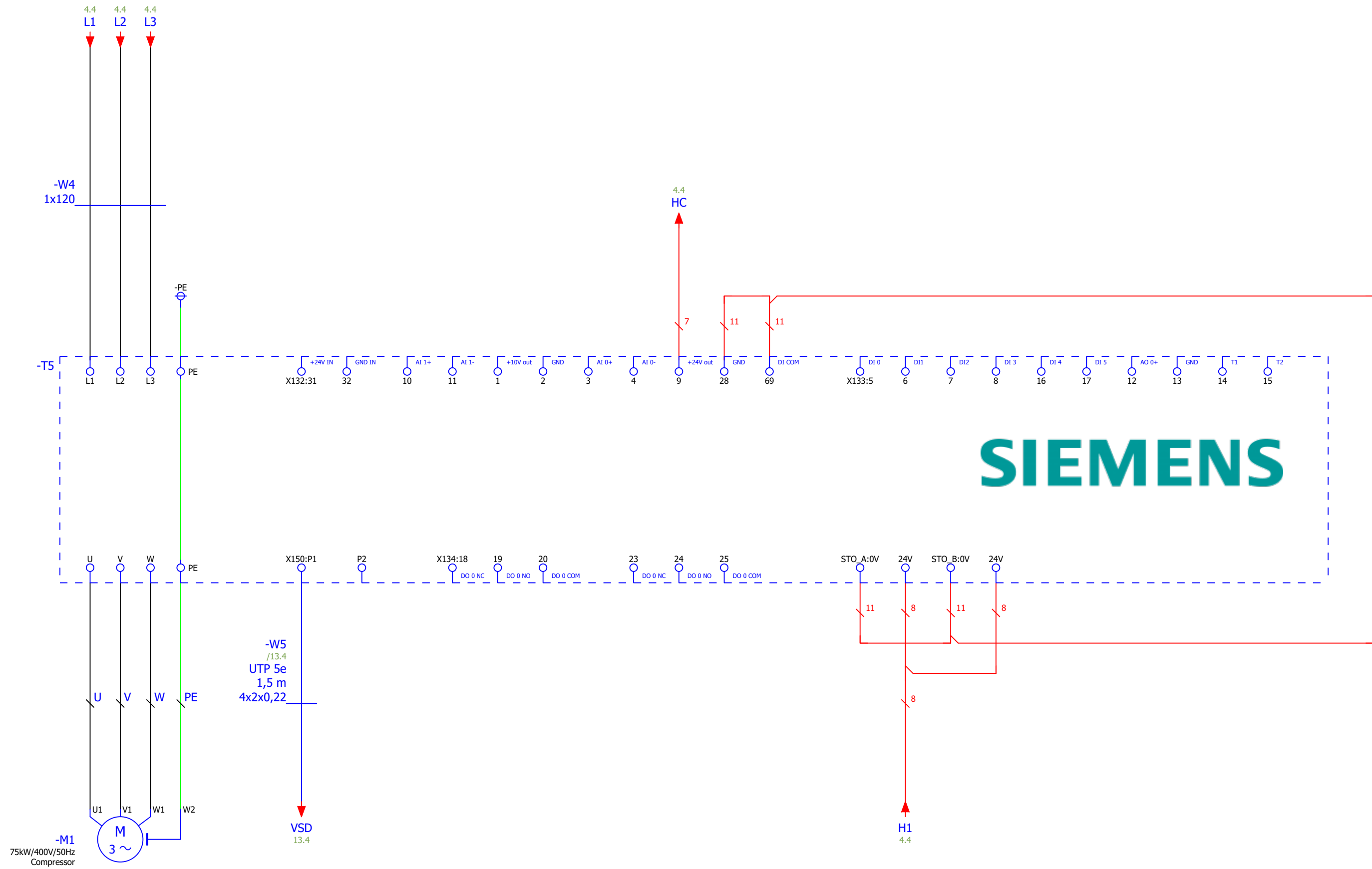
Notes: Siemens





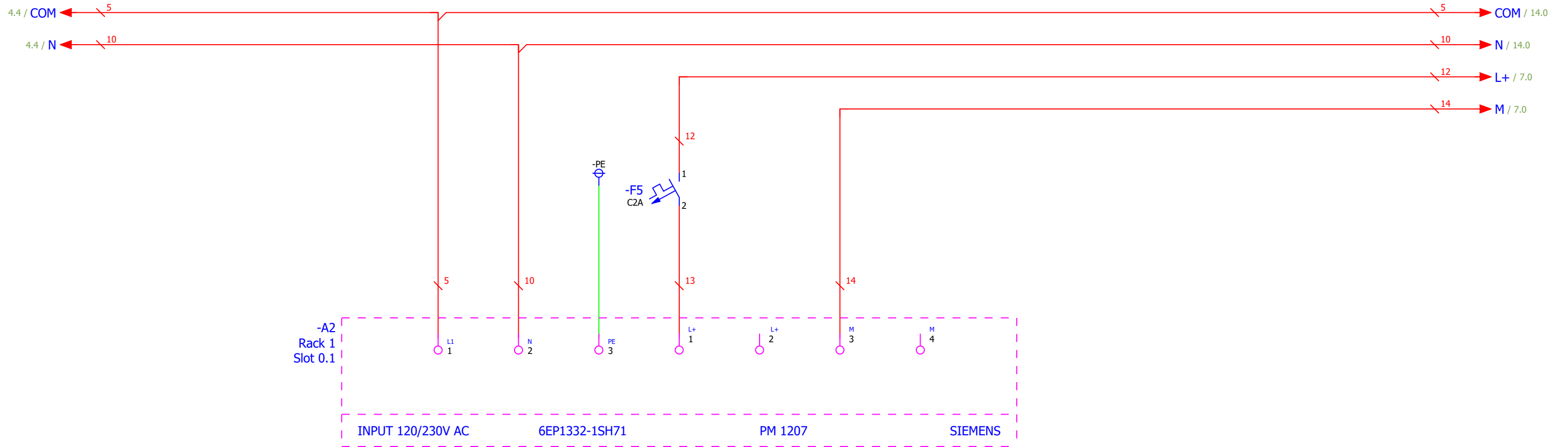


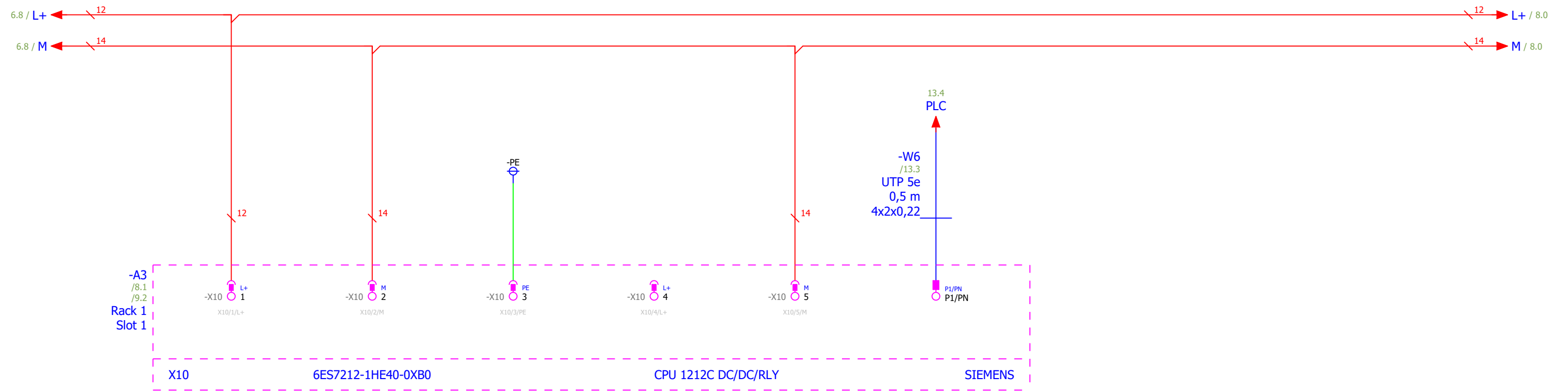


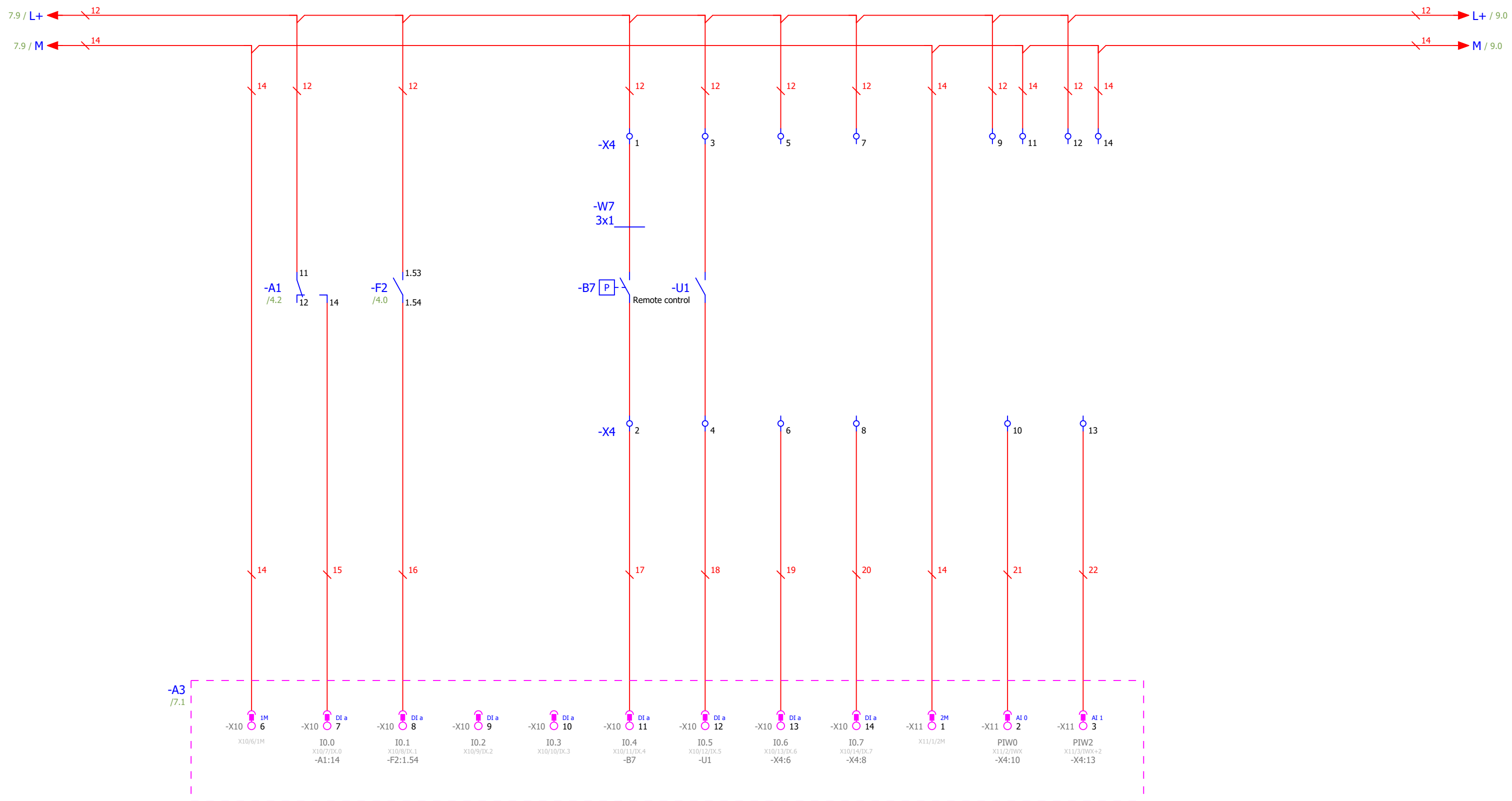


**SIEMENS**

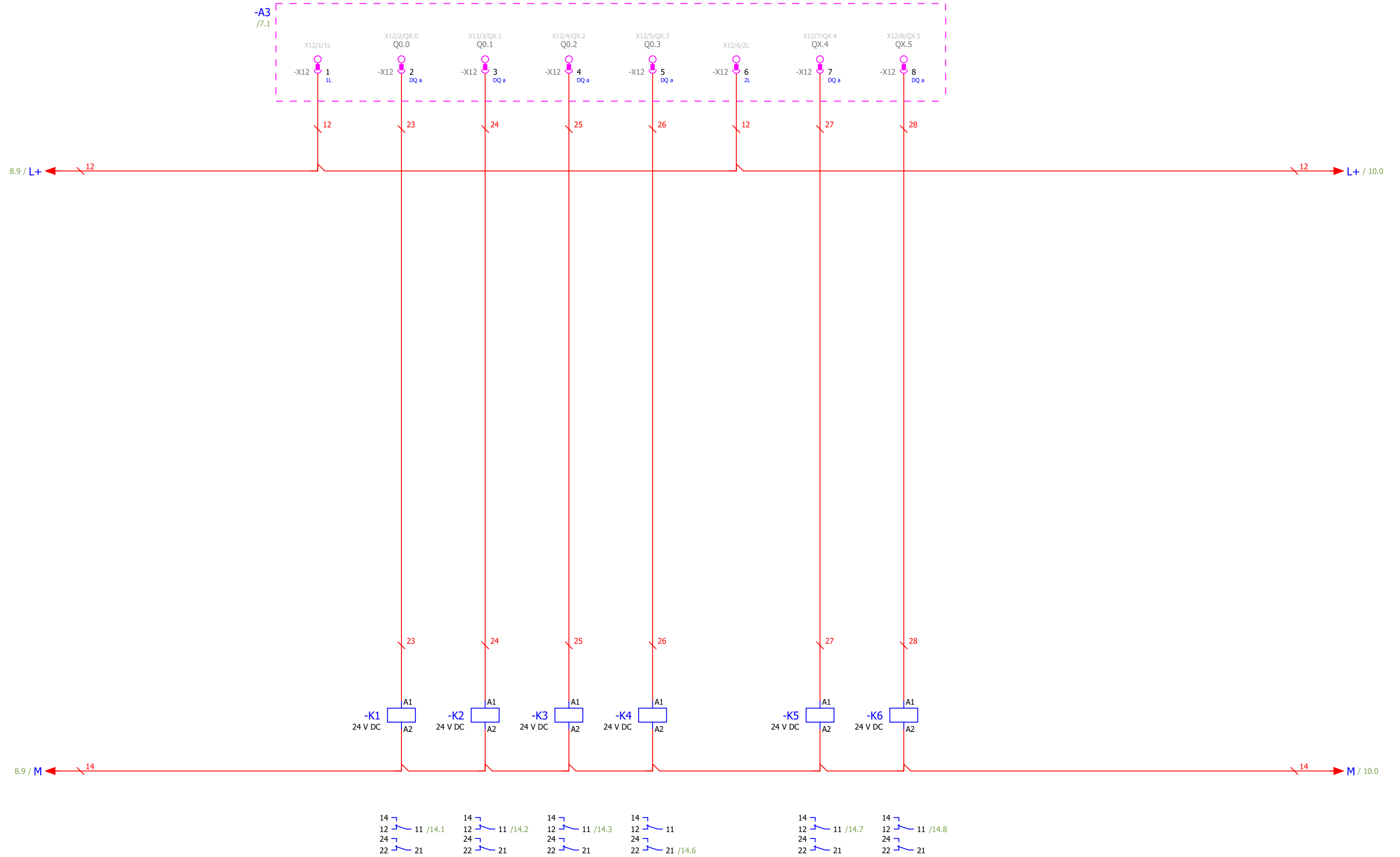


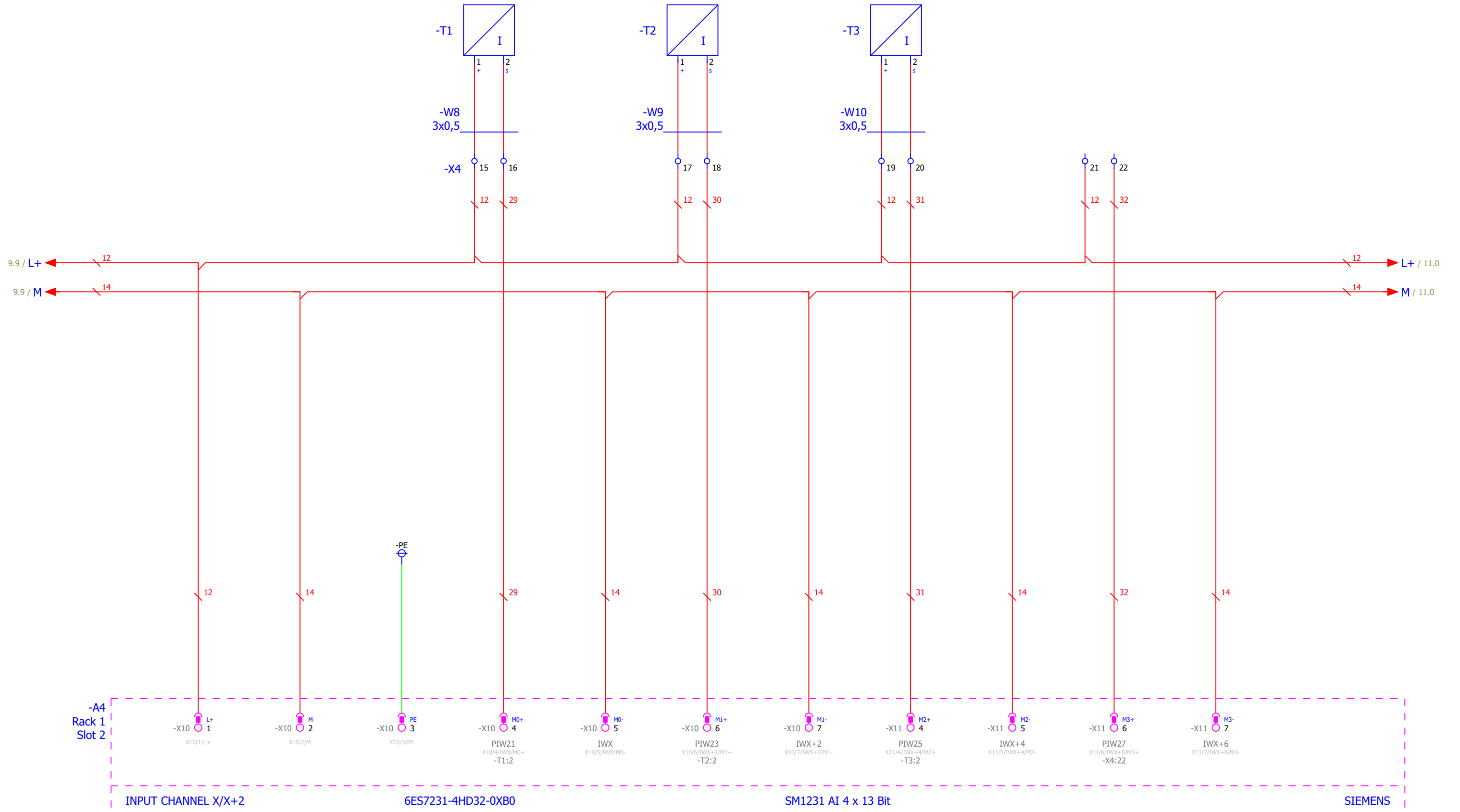


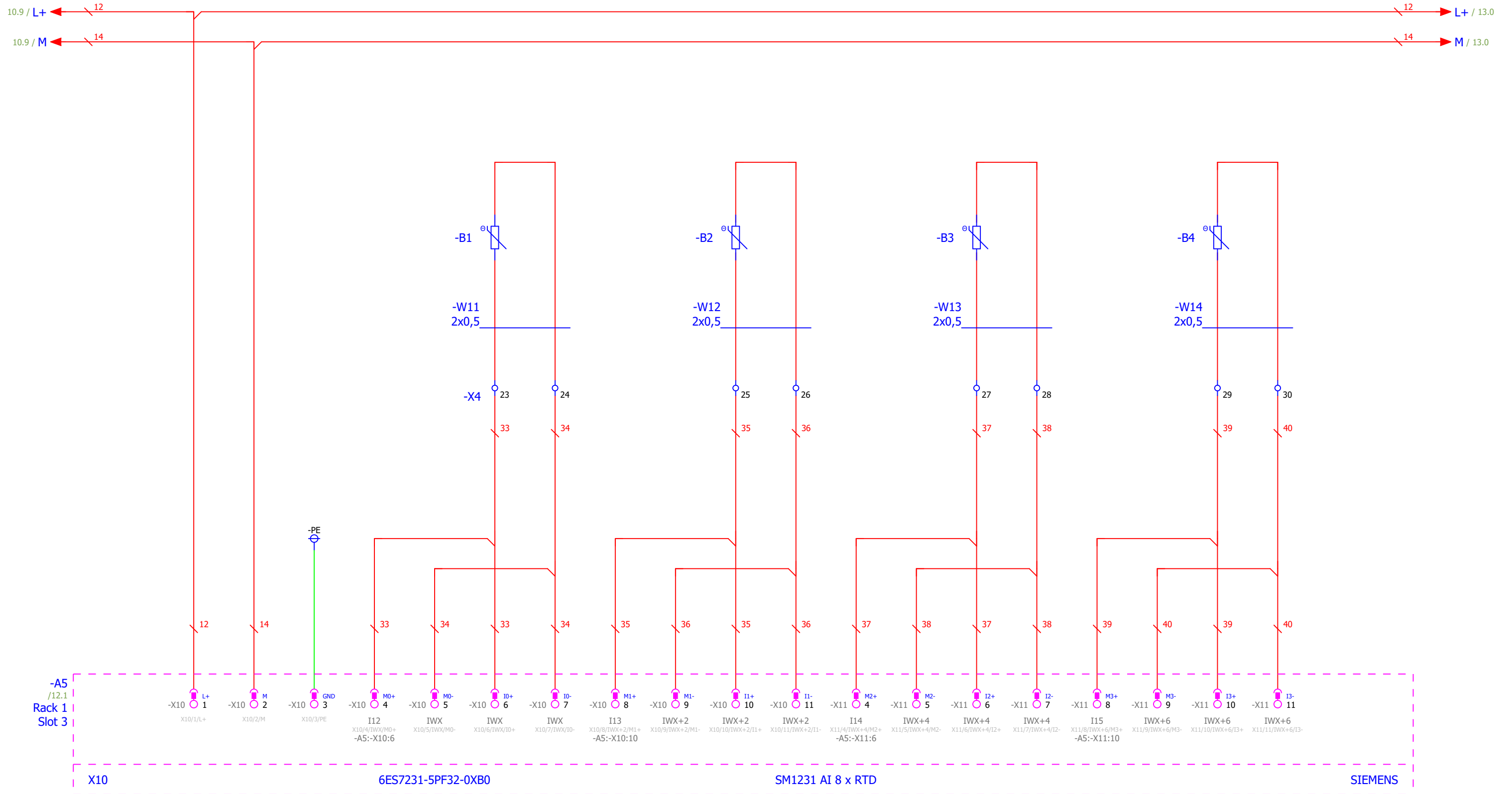


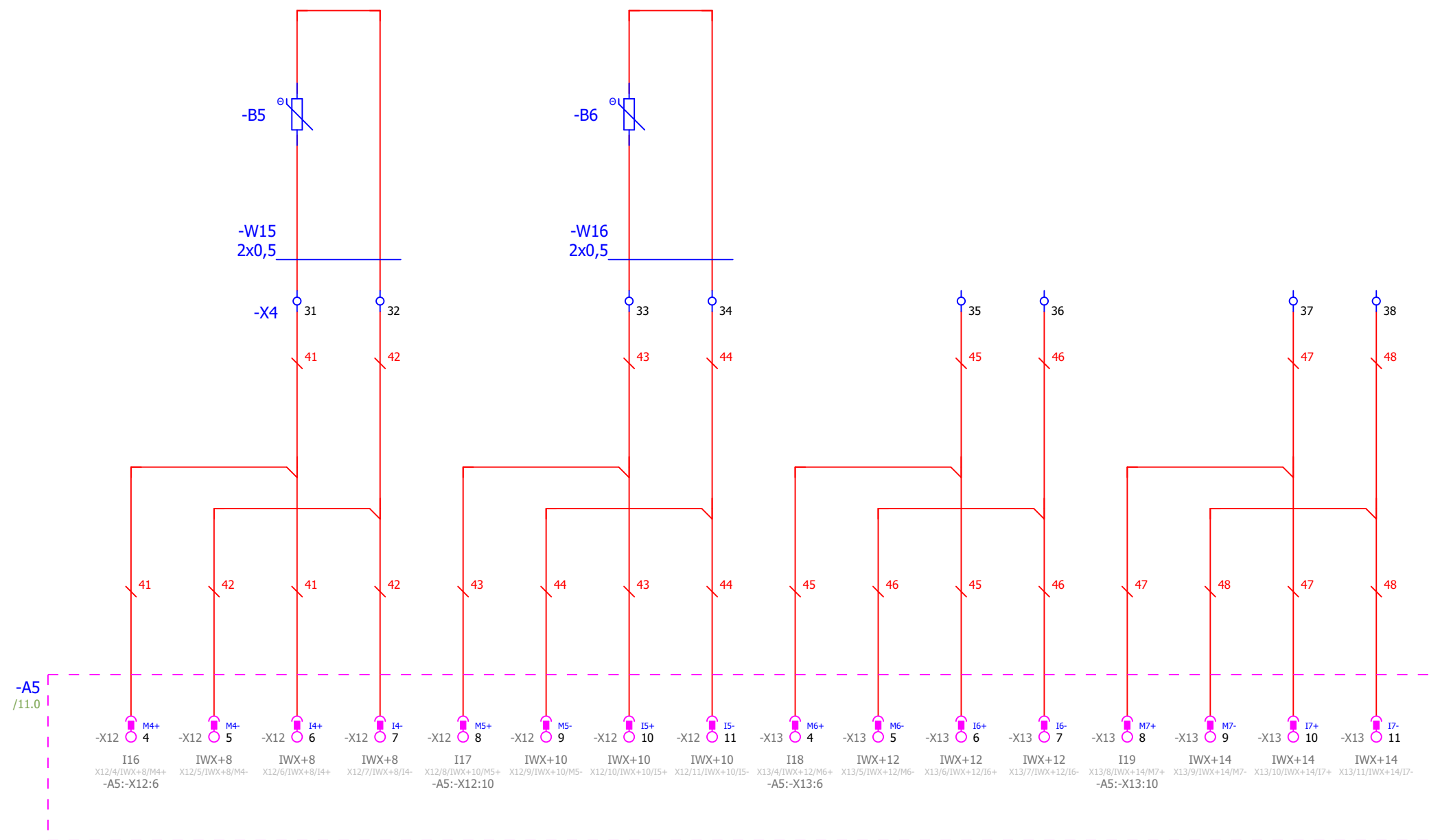


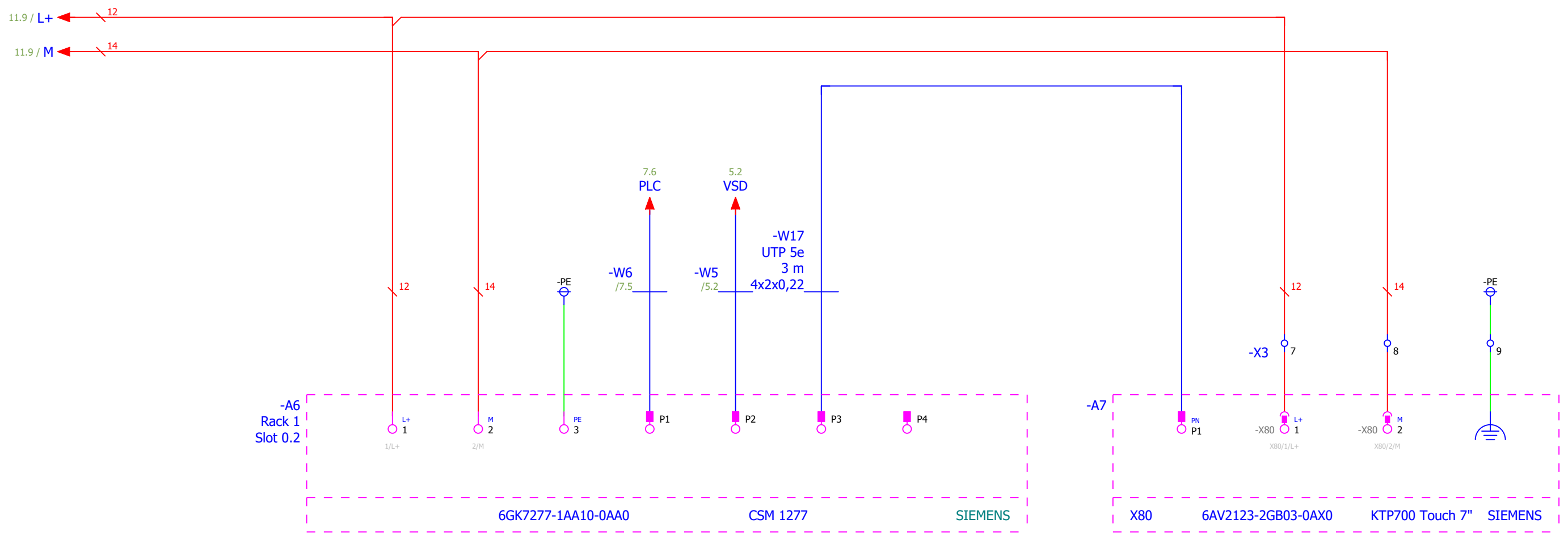


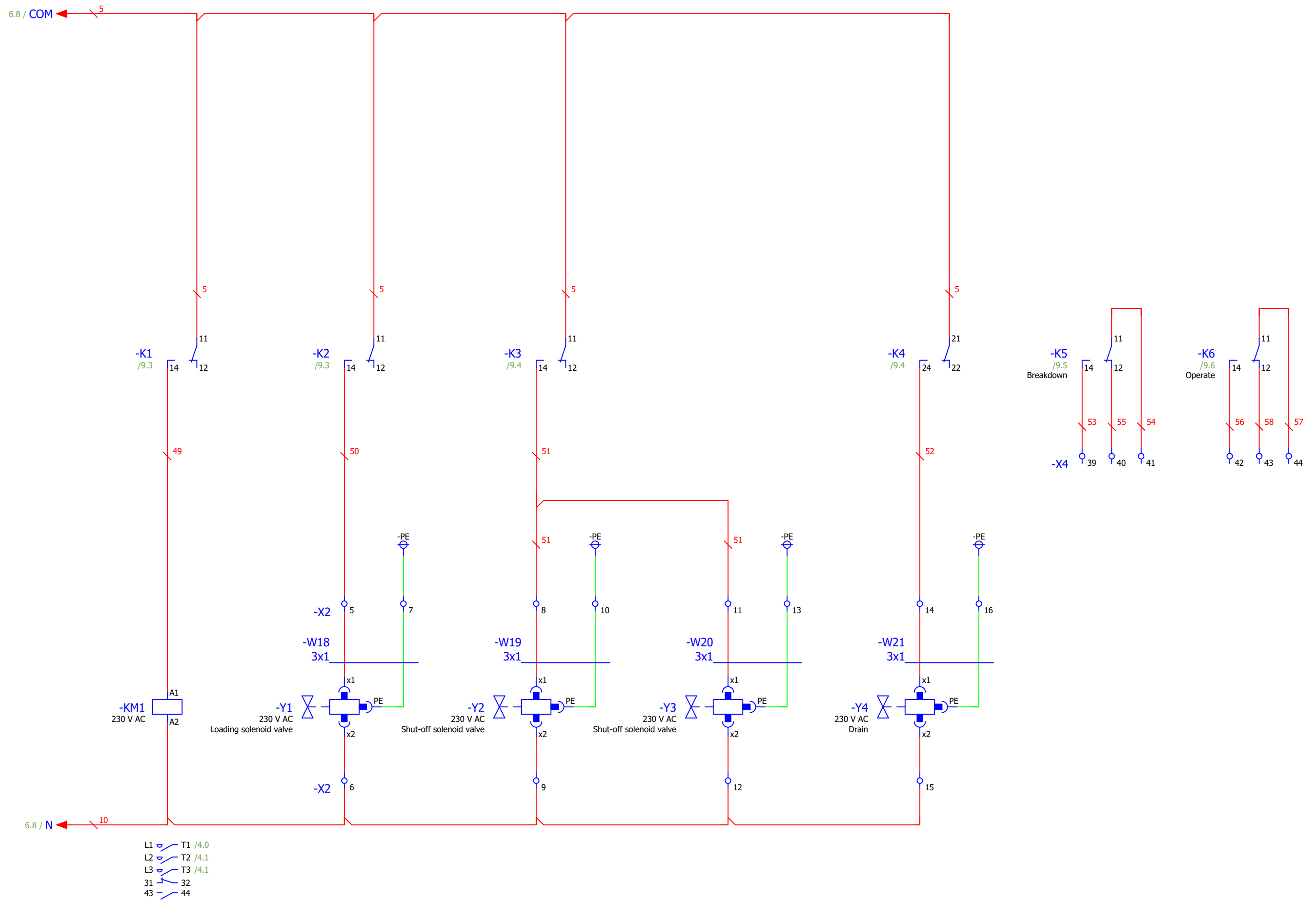












# List of articles

Apparatus identifier	Function	Technical data	Manufacturer	Type number	Notes	Index	Quantity
-A1	Phase monitor		Siemens	3UG4512-1AR20		ECE0922	1
-A2	Power supply		Siemens	6EP1332-1SH71		ECE0924	1
-A3	PLC controller CPU1212C DC/DC/RLY		Siemens	6ES7212-1HE40-0XB0		ESM0085	1
-A4	Module SM1231 4xAI		Siemens	6ES7231-4HD32-0XB0		ESM0059	1
-A5	Module SM1231 8xRTD		Siemens	6ES7231-5PF32-0XB0		ESM0092	1
-A6	Switch CSM1277		Siemens	6GK7277-1AA10-0AA0		ECE0524	1
-A7	Operator panel KTP700		Siemens	6AV2123-2GB03-0AX0		ECE1245	1
-F1	Fuse switch		Aparator	RBK-2		ECE0213	1
-F1	Fuse link	315A	Aparator	WTNH-2 315A		ECE0447	3
-F2	Motor starter	Ir= 20-25A	Moeller	PKZM0-25		ECE0324	1
-F2	Auxiliary contact		Moeller	NHI-E-11-PKZ0		ECE0518	1
-F3	Overcurrent circuit-breaker	C6A		S303 C6		ECE0217	1
-F4	Overcurrent circuit-breaker	C6A		S302 C6		ECE0727	1
-F5	Overcurrent circuit-breaker	C2A		S301 C2		ECE0697	1
-K1	Relay	24 V DC	Finder	40.52 D24		ECE0300	1
-K1	Relay socket		Finder	95.75		ECE0320	1
-K2	Relay	24 V DC	Finder	40.52 D24		ECE0300	1
-K2	Relay socket		Finder	95.75		ECE0320	1
-K3	Relay	24 V DC	Finder	40.52 D24		ECE0300	1
-K3	Relay socket		Finder	95.75		ECE0320	1
-K4	Relay	24 V DC	Finder	40.52 D24		ECE0300	1
-K4	Relay socket		Finder	95.75		ECE0320	1
-K5	Relay	24 V DC	Finder	40.52 D24		ECE0300	1
-K5	Relay socket		Finder	95.75		ECE0320	1
-K6	Relay	24 V DC	Finder	40.52 D24		ECE0300	1
-K6	Relay socket		Finder	95.75		ECE0320	1
-KM1	Contactora	230 V AC	LS	MC-32a		ECE0993	1
-S1	Emergency stop button		Giovenzana	PPFN1R4N		ECE0017	1
-S1	Auxiliary contact		Giovenzana	PCW01		ECE0323	2
-T4	Transformer	400V/230V-24V 160VA		400V/230V-24V 160VA		ECE0754	1
-T5	Variable frequency drive		Siemens	6SL3220-2YE48-0UF0		ESO0116	1
-W1	Connecting wire			LGY 4 BK		EPW0072	10
-W2	Flexible cable			OW 4x4		EPW0064	5
-W3	Connecting wire			LGY 1 BK		EPW0063	10
-W4	Connecting wire			LGY 120 BK		EPW0047	30
-W4	Connecting wire			LGY 70 GNYE		EPW0066	10
-W5	Network cable			Patchcord UTP 5e 1,5m		PRO0445	1
-W6	Network cable			Patchcord UTP 5e 0,5m		PRO0491	1
-W7	Flexible cable			OW 3x1		EPW0005	3
-W8	Control cable			LIYY 3x0,5		EPW0052	5
-W9	Control cable			LIYY 3x0,5		EPW0052	5
-W10	Control cable			LIYY 3x0,5		EPW0052	5
-W17	Network cable			Patchcord UTP 5e 3m		PRO0490	1
-W18	Flexible cable			OW 3x1		EPW0005	3
-W19	Flexible cable			OW 3x1		EPW0005	3
-W20	Flexible cable			OW 3x1		EPW0005	3
-W21	Flexible cable			OW 3x1		EPW0005	3
-X1	Rail terminal block		Cabur	GPM150		ECE0450	4
-X2	Rail terminal block		Cabur	CBD6		ECE0229	3
-X2	Rail terminal block		Cabur	CBD2		ECE0376	8
-X2	PE rail terminal block		Cabur	TE2		ECE0275	4
-X2	PE rail terminal block		Cabur	TE6		ECE0230	1
-X3	Rail terminal block		Cabur	CBD2		ECE0376	8
-X3	PE rail terminal block		Cabur	TE2		ECE0275	1
-X4	Rail terminal block		Cabur	CBD2		ECE0376	44

Modification date: 11.05.2020

Designed by: mkowalka

Checked by: r.dawid

**Berg Kompressoren GmbH**  
Speditionstraße 21, 40221 Düsseldorf



Project name:

**KOMPBERG ZXF 132**

Power supply:

**400V/50Hz/3ph**

Index:

**EIE1112**

Project number:

**786-741-000**

Page description:

List of articles

Index version:

1

Current page:

/15

Number of pages:

20









# Plan of terminals

		Terminal block								
		<b>X4</b>								
Sort of connector	Connector type	Target ID	Connection	Terminal	Bridge	Target ID	Connection	Position		
Rail terminal block	CBD2	-B7		1						
Rail terminal block	CBD2	-A3	-X10:11	2			-B7	1.53	/8.4	
Rail terminal block	CBD2	-U1		3					/8.4	
Rail terminal block	CBD2	-A3	-X10:12	4			-U1		/8.4	
Rail terminal block	CBD2			5					/8.5	
Rail terminal block	CBD2	-A3	-X10:13	6					/8.5	
Rail terminal block	CBD2			7					/8.5	
Rail terminal block	CBD2	-A3	-X10:14	8					/8.5	
Rail terminal block	CBD2			9					/8.6	
Rail terminal block	CBD2	-A3	-X11:2	10					/8.6	
Rail terminal block	CBD2			11			-A3	-X11:1	/8.6	
Rail terminal block	CBD2			12			-A3	-X12:1	/8.7	
Rail terminal block	CBD2	-A3	-X11:3	13					/8.7	
Rail terminal block	CBD2			14			-K1	A2	/8.7	
Rail terminal block	CBD2	-A4	-X10:1	15			-T1	1	/10.3	
Rail terminal block	CBD2	-A4	-X10:4	16			-T1	2	/10.3	
Rail terminal block	CBD2			17			-T2	1	/10.4	
Rail terminal block	CBD2	-A4	-X10:6	18			-T2	2	/10.4	
Rail terminal block	CBD2			19			-T3	1	/10.6	
Rail terminal block	CBD2	-A4	-X11:4	20			-T3	2	/10.6	
Rail terminal block	CBD2	-A5	-X10:1	21					/10.7	
Rail terminal block	CBD2	-A4	-X11:6	22					/10.7	
Rail terminal block	CBD2	-A5	-X10:6	23			-B1		/11.3	
Rail terminal block	CBD2	-A5	-X10:7	24			-B1		/11.3	
Rail terminal block	CBD2	-A5	-X10:10	25			-B2		/11.4	
Rail terminal block	CBD2	-A5	-X10:11	26			-B2		/11.5	
Rail terminal block	CBD2	-A5	-X11:6	27			-B3		/11.6	
Rail terminal block	CBD2	-A5	-X11:7	28			-B3		/11.6	
Rail terminal block	CBD2	-A5	-X11:10	29			-B4		/11.8	
Rail terminal block	CBD2	-A5	-X11:11	30			-B4		/11.8	
Rail terminal block	CBD2	-A5	-X12:6	31			-B5		/12.2	
Rail terminal block	CBD2	-A5	-X12:7	32			-B5		/12.2	
Rail terminal block	CBD2	-A5	-X12:10	33			-B6		/12.4	
Rail terminal block	CBD2	-A5	-X12:11	34			-B6		/12.4	
Rail terminal block	CBD2	-A5	-X13:6	35					/12.5	



