

# Technische Daten / technical data sheet

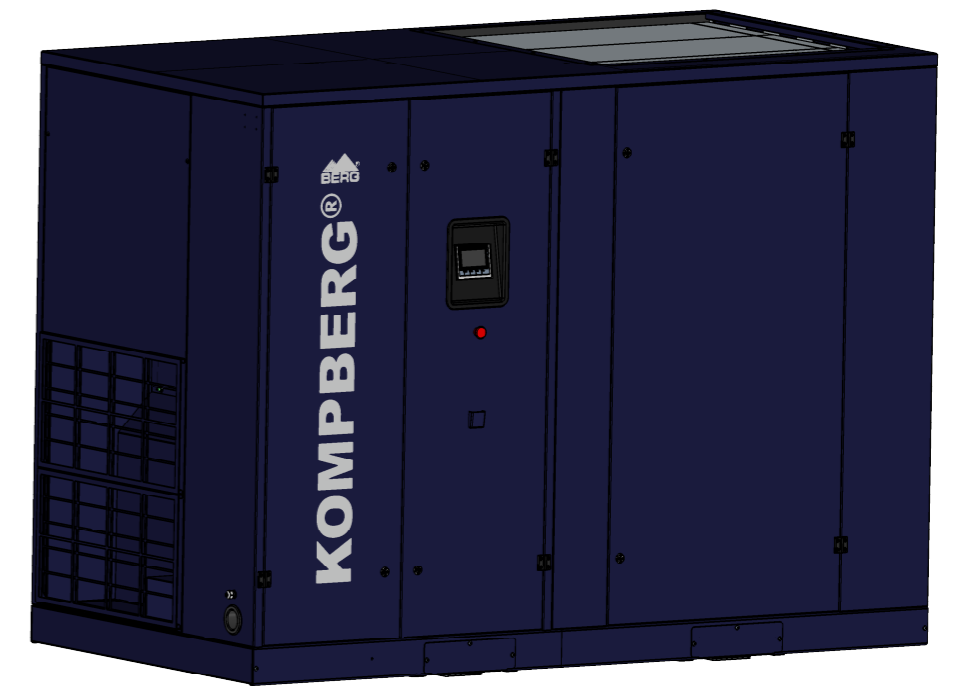
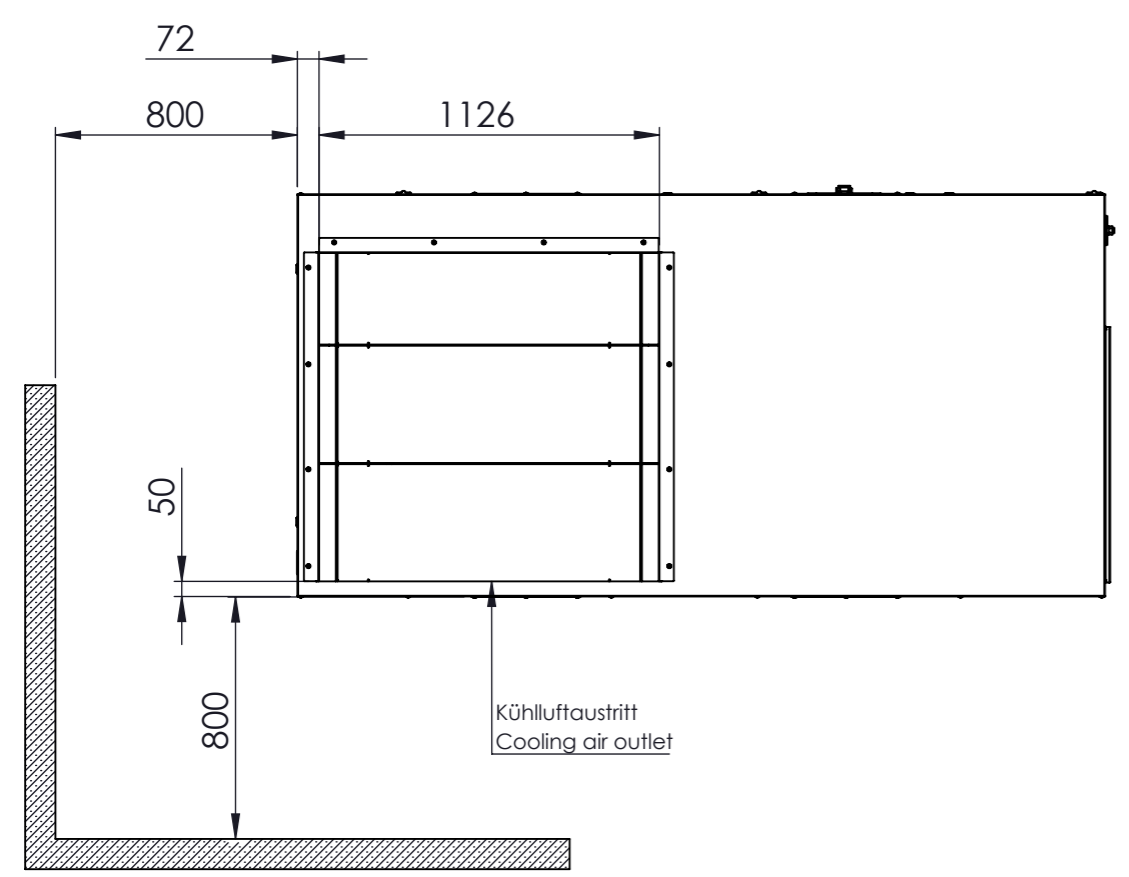
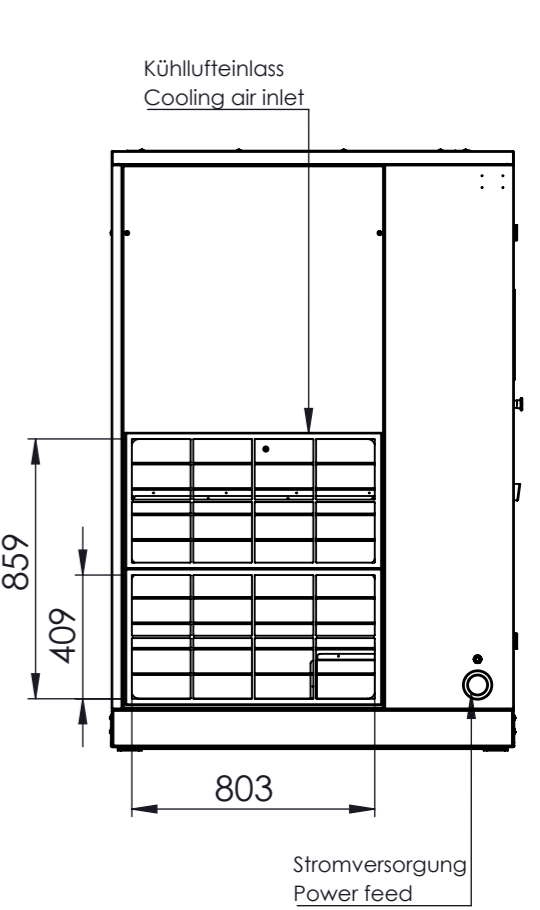
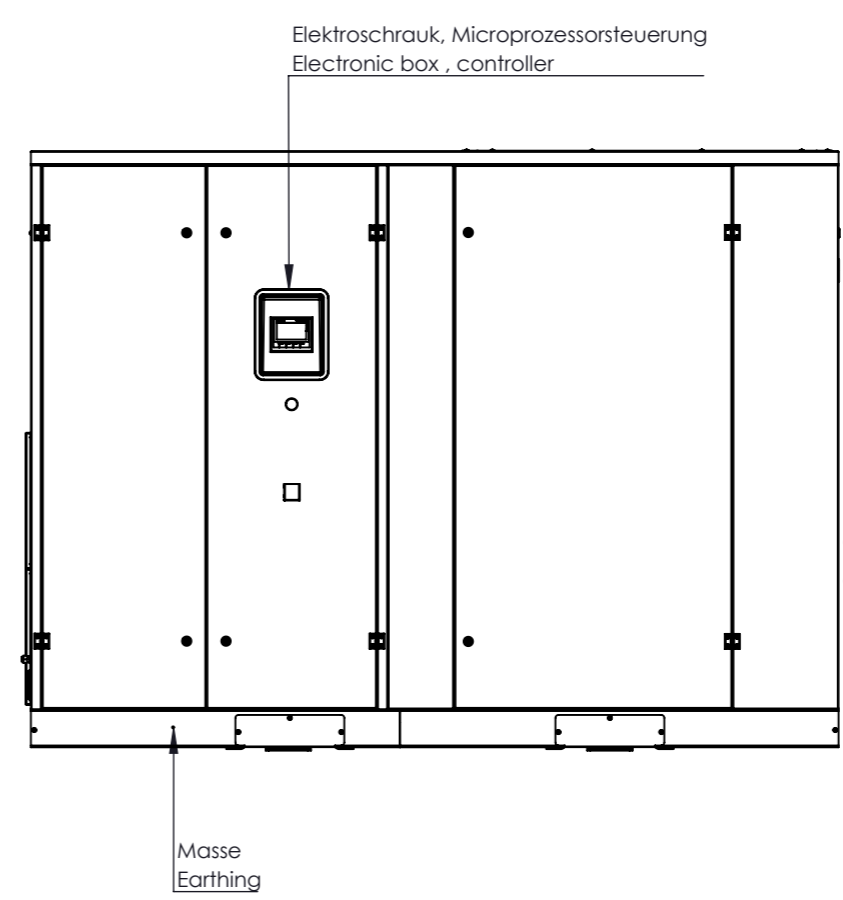
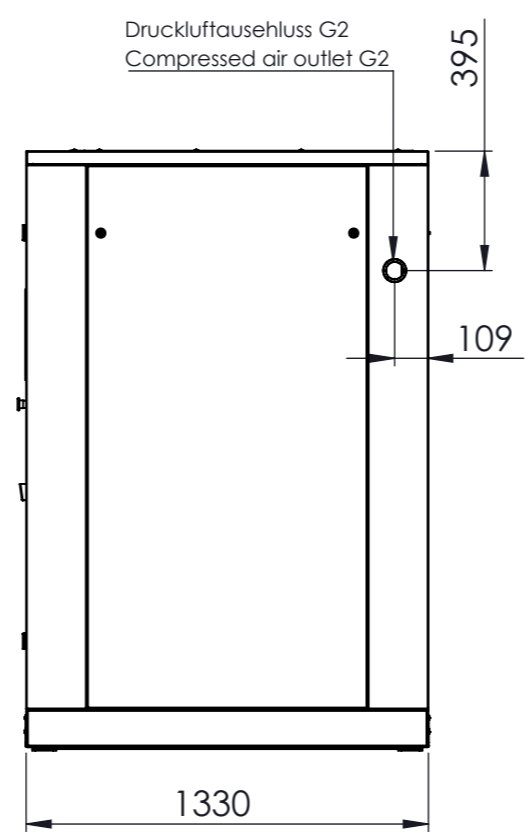
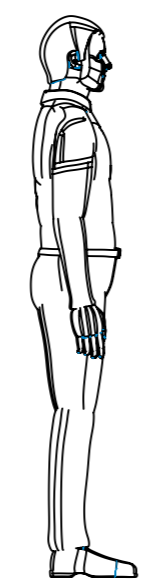
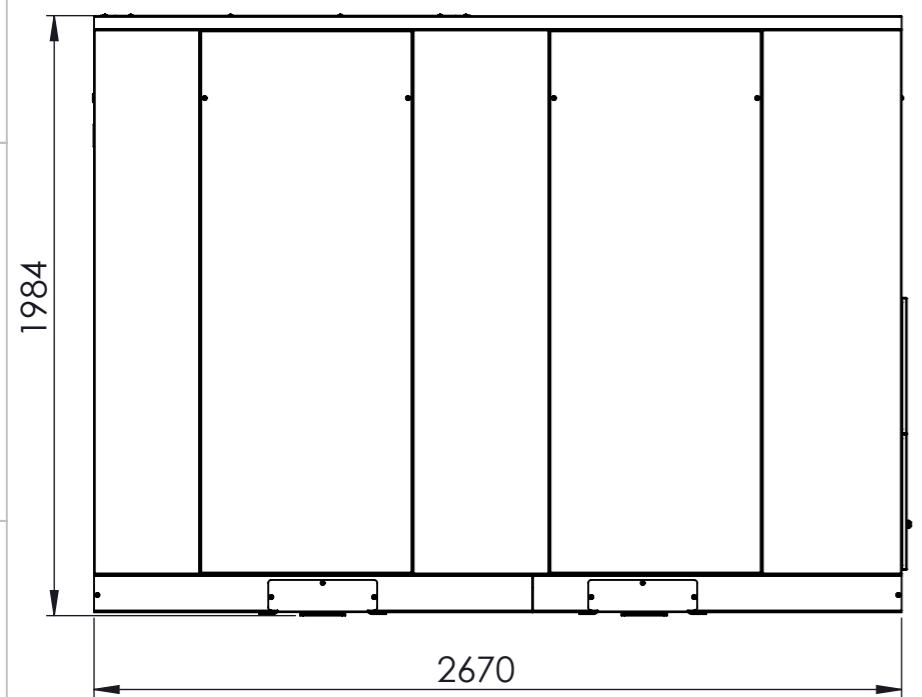


**BERG Kompressor Schraubenkompressor mit Inverter, Direktantrieb**  
**BERG Screw Compressor with inverter, direct drive, 1:1**

| Typ / type  | <b>KOMPBERG® BSDF 110</b> |                   | bar | m3/min                   | cfm           |
|---|---------------------------|-------------------|-----|--------------------------|---------------|
| Liefermenge bei Betriebsdruck gemäß ISO 1217 Annex C<br>Capacity (FAD) at gauged pressure according to ISO 1217 Annex C |                           | 7.5               |     | 9.6 - 19.2               | 339 - 678     |
|   |                           | 10                |     | 8.4 - 16.9               | 296.6 - 596.8 |
|   |                           | 13                |     | 7 - 14.1                 | 247.2 - 497.9 |
| Behälter / air receiver   |                           | I                 |     | 6000 (optional)          |               |
| Verdichterstufe / air end   |                           | Typ               |     | BERG B Series            |               |
| <b>Motordaten / motor and controller details</b>  |                           |                   |     |                          |               |
| Nennleistung / nominal power  |                           | kW                |     | 110                      |               |
| Drehzahl / speed (ca. je nach Betriebsdruck)  |                           | min <sup>-1</sup> |     | 2980                     |               |
| Spannung / voltage  |                           | V                 |     | 400 / 480 upon request   |               |
| Frequenz / frequency  |                           | Hz                |     | 50 / 60 upon request     |               |
| Schutzart / protection  |                           | IP                |     | 55                       |               |
| Isolationsklasse / isolation class  |                           | ISO               |     | F                        |               |
| Frequenzumrichter / Variable Speed Drive (VSD)  |                           |                   |     | YASKAWA / Danfoss        |               |
| SPS- und HMI-Steuerungen / PLC and HMI controllers  |                           |                   |     | SIEMENS                  |               |
| Bauform / type of construction  |                           |                   |     | B3                       |               |
| Einschaltung / start  |                           |                   |     | geregelt / contr.        |               |
| <b>Ölkreislauf / oil circuit</b>  |                           |                   |     |                          |               |
| Ölinhalt des Kompressors / oil capacity   |                           | l                 |     | 60                       |               |
| Restölgehalt / oil carry over   |                           | mg/m <sup>3</sup> |     | 1-3                      |               |
| <b>Kühlung / cooling</b>  |                           |                   |     |                          |               |
| Kühlluftbedarf / cooling air required   |                           | m <sup>3</sup> /h |     | 17500.0                  |               |
| Drucklufttemperatur über / compressed air outlet temperature  |                           | K                 |     | 10°C above ambient Temp. |               |
| Umgebungstemperatur / ambient temperature   |                           | °C                |     | min. +5 / max. +40       |               |
| <b>Anschlussdaten /connection details</b>   |                           |                   |     |                          |               |
| Druckluftausgang /connection details  |                           | inch              |     | G 2                      |               |
| Elektroanschluss-Zuleitung / section of electr. Cable   |                           | mm <sup>2</sup>   |     | 3x120+PE                 |               |
| Motornennstrom / motor nominal current  |                           | A                 |     | 176                      |               |
| <b>Abmessungen / dimensions</b>   |                           |                   |     |                          |               |
| L x B x H / L x W x H   |                           | mm                |     | 2670 x 1330 x 1980       |               |
| Gewicht / weight  |                           | kg                |     | 2500                     |               |
| Schallpegel / sound level   |                           | dB(A)             |     | 83                       |               |

Pulverbeschichtungsfarbe: RAL 7047 (Rahmen), RAL 5002 (Türen)

THIS DOCUMENTS PROPRIETARY INFORMATION WITH ALL RIGHTS AND TITLES RESERVED AND MAY NOT BE REPRODUCED IN WHOLE OR IN PART WITHOUT WRITTEN CONSENT OF BERG Kompressoren GmbH.



- Schraubenkompressor / oil lubricated screw compressor
- 1:1 Direktantrieb ohne Getriebe / direct driven without gearbox
  - Motorleistung / main motor power: 110 kW
  - mit Grundrahmen aus Stahlträgern, Schalldämmgehäuse aus Stahlblechprofilen und abnehmbaren Blechtüren / with carbon steel base frame, sound enclosure composed of sheet metal profiles and removeable sheet metal door panels
  - Pulverbeschichtung / powder coating: RAL 5002 (Türen/doors)

|   |  |   |                                |               |
|---|--|---|--------------------------------|---------------|
| <p><b>BERG Kompressoren GmbH</b></p> <p><a href="http://www.berg-kompressoren.de">www.berg-kompressoren.de</a></p> <p><small>This document must not be copied without our written permission and the contents thereof must not be imparted to a third party nor be used for any unauthorised purpose. Contravention will be prosecuted by BERG Kompressoren GmbH.</small></p> | ADDRESS <b>BERG Kompressoren GmbH</b><br>Medienstraße 35<br>47807 Krefeld, Deutschland |   | REV.<br>1                      |               |
|   | DO NOT SCALE<br>IF IN DOUBT<br>ASK   | WEIGHT<br>N/A                                   | PROJECT NAME/NUMBER<br>BSDF110 | SCALE<br>1:25 |
|   |  | TITLE<br>Schraubenkompressor KOMPBERG® BSDF 110 |                                | SIZE<br>A3    |
|   | DRAWING NO. / SHEET NAME<br>BSDF110_GA   |   |                                | SHEET<br>1/1  |