



## Original installation and operation manual

### QWIK-PURE®

> 10

## ■ Table of contents

<b>1. Notes about the documentation</b> .....	<b>4</b>
1.1 Contact .....	4
1.2 Information regarding installation and operation manual .....	4
<b>2. Safety</b> .....	<b>5</b>
2.1 Use .....	5
2.1.1 Intended use .....	5
2.1.2 Reasonably foreseeable inappropriate use .....	6
2.2 Responsibility of the operating company .....	6
2.3 Target group and personnel .....	7
2.4 Explanation of the safety symbols used .....	8
2.5 Safety instructions and warning notices .....	9
2.5.1 Generally applicable safety instructions .....	9
2.5.2 Safe operation .....	9
2.5.3 Pressurised systems .....	10
2.5.4 Transport and storage .....	10
2.5.5 Installation .....	11
2.5.6 Maintenance .....	11
2.5.7 Handling hazardous substances .....	12
2.5.8 Use of spare parts, accessories or materials .....	12
2.6 Warning notices .....	13
<b>3. Product information</b> .....	<b>14</b>
3.1 Product overview .....	14
3.1.1 QWIK-PURE® 10 .....	14
3.2 Function description .....	15
3.3 Type plate .....	16
3.4 Scope of delivery .....	17
<b>4. Technical data</b> .....	<b>19</b>
4.1 QWIK-PURE® operating parameters .....	19
4.2 Storage parameters .....	19
4.3 Materials .....	20
4.4 Dimensions .....	20
4.5 Connections .....	21
4.6 Assembly conditions .....	22
<b>5. Transport and storage</b> .....	<b>23</b>
5.1 Warning notices .....	23
5.2 Transport .....	24
5.3 Storage .....	24
<b>6. Assembly</b> .....	<b>25</b>
6.1 Warning notices .....	25
6.2 Assembly work .....	26


<b>7. Commissioning</b> .....	<b>34</b>
7.1 Warning notices .....	34
7.2 Initial commissioning.....	35
7.3 Recommissioning .....	36
<b>8. Operation</b> .....	<b>37</b>
8.1 Warning notices .....	37
8.2 Working during operation .....	37
<b>9. Maintenance</b> .....	<b>39</b>
9.1 Warning notices .....	39
9.2 Maintenance schedule .....	40
9.3 Maintenance work .....	40
9.3.1 Turbidity check of the purified condensate .....	41
9.3.2 Replacing filter cartridges .....	42
9.3.3 Cleaning.....	47
9.3.3.1 Warning notices.....	47
9.3.3.2 Cleaning work .....	48
9.3.4 Visual inspection .....	49
9.3.5 Leakage test .....	49
<b>10. Consumables, accessories and spare parts</b> .....	<b>50</b>
10.1 Order information.....	50
10.2 Wear parts .....	50
10.3 Accessories.....	50
10.4 Spare parts.....	51
<b>11. Decommissioning</b> .....	<b>52</b>
11.1 Warning notices .....	52
11.2 Decommissioning work .....	52
<b>12. Disassembly</b> .....	<b>53</b>
12.1 Warning notices .....	53
12.2 Disassembly work .....	53
<b>13. Disposal</b> .....	<b>60</b>
13.1 Warning notices .....	60
13.2 Disposal of operating and auxiliary materials .....	61
13.3 Disposal of components .....	61
<b>14. Troubleshooting</b> .....	<b>62</b>
<b>15. Notes</b> .....	<b>63</b>

# 1. Notes about the documentation


This documentation contains all the necessary steps for use of the product and the accessories.

## 1.1 Contact

Manufacturer	Customer service and tools
<b>BEKO TECHNOLOGIES GmbH</b>  Im Taubental 7   41468 Neuss Phone: +49 2131 988-1000 info@beko-technologies.com www.beko-technologies.com	<b>BEKO TECHNOLOGIES GmbH</b>  Im Taubental 7   41468 Neuss Phone: +49 2131 988-1000 service-eu@beko-technologies.com www.beko-technologies.com

INFORMATION	Country-specific manufacturer representation
	You can contact the country-specific manufacturer's representative via the address listed in the address section on the rear cover or by using the contact form on the manufacturer's website.


## 1.2 Information regarding installation and operation manual

INFORMATION	Copyright protection!
	The contents of the installation and operation manual in the form of text, figures, illustrations, photographs, technical drawings, diagrams and other representations are protected by the copyright of the manufacturer. The distribution as well as the duplication of this document, the exploitation and the communication of its contents are prohibited unless expressly authorised.

Publication date	Revision	Version	Reason for amendment	Scope of amendment
30 March 2023	00	00	New document	New document
22 August 2023	01	01	Change in technical data	Maximum oil concentration at condensate drain port

The installation and operation manual, hereinafter referred to as the manual, must always be kept close to the product and be in a permanently legible condition.

The manual must be handed over along with the product if it is sold or passed on.

NOTE	Follow the instructions given in the manual!
	This manual contains all the basic information required for safe operation of the product and must be read before any actions are performed. Otherwise personal and material hazards as well as malfunction and device failure are possible.



## 2. Safety

### 2.1 Use

#### 2.1.1 Intended use

The **QWIK-PURE®**, also referred to as the “product” below, is used to treat compressor condensate from oil-lubricated and oil-free compressors. Physical processes are used to separate oils that can be directly separated from the corresponding water.

Any use of this system other than the use described in this manual is hereby deemed to be non-intended and can cause a hazard for the safety of people and the environment.

The following must be noted for intended use:

- Read and follow the manual.
- Use the product and the accessories exclusively within the operating parameters and agreed delivery conditions specified in section Technical data.
- Use the product and accessories exclusively with fluids that are free of caustic, aggressive, corrosive, toxic, flammable, oxidising and inorganic components.  
In cases of doubt an analysis must be carried out.
- Only use the product and accessories in areas which are free of toxic and corrosive chemicals and gases.
- Use the product and the accessories exclusively within a piping system designed in conformity with the operating parameters specified in section Technical data.
- Use the product and the accessories exclusively outside of areas exposed to mechanical loads and splash water.
- Only use the product and accessories outside potentially explosive atmospheres.
- Use the product and the accessories exclusively outside of areas exposed to direct sunlight and heat sources.
- Combine the product and the accessories only with the recommended manufacturer products and components indicated in this manual.
- Adhere to the prescribed maintenance schedule.

Before using the product and the accessories, the operating company must make sure that all conditions and prerequisites for intended use are given.

The product and the accessories have been exclusively designed for stationary use in a commercial or industrial area. All of the assembly, installation, operation, maintenance, disassembly and disposal work described must be performed exclusively by qualified skilled technical personnel.

### 2.1.2 Reasonably foreseeable inappropriate use

Reasonably foreseeable inappropriate use is deemed to have occurred if the product or the accessories are used in any other way than that described in the section “Intended use”. Reasonably foreseeable inappropriate use includes the use of the product or the accessories in a manner not intended by the manufacturer or supplier but which may result from foreseeable human behaviour.

Reasonably foreseeable inappropriate use includes:

- The execution of any kind of modification, in particular constructive and process-technology related interventions.
- The suspension, bridging or non-application of existing or recommended safety equipment.
- Use for filtering wastewater other than compressor condensate (e.g., industrial wastewater).
- Disposal of waste oils.
- Using the product on water vessels, railway vehicles and motor vehicles.

This list is not exhaustive as not all possible inappropriate use can be foreseen in advance. If the operating company is aware of any inappropriate use of the product or accessories which are not listed here, the manufacturer must be informed immediately.


## 2.2 Responsibility of the operating company

The responsible operating company must ensure the following to prevent accidents, incidents and adverse effects on the environment:

- Before all actions, check to ensure that the manual available does in fact belong to the product.
- The product and the accessories are used, serviced and repaired in accordance with the intended use.
- The product and accessories are only used with the recommended and fully operable safety equipment.
- All assembly, installation and maintenance work is carried out by qualified skilled technical personnel only.
- Personnel have the necessary personal protective equipment available and also use this equipment.
- Suitable technical safety measures are taken so that the permissible operating parameters are adhered to.
- Keep all safety symbols and the type plate on the product and accessories in a legible state. Replace damaged and illegible markings immediately.
- All locally applicable standards and regulations regarding the protection of bodies of water, as well as the associated mandatory documentation obligations (e.g., results from turbidity test, retention periods), must be complied with.

## 2.3 Target group and personnel

This manual addresses the personnel listed below who are involved with work on the product or the accessories.

INFORMATION	Personnel requirements!
	<ul style="list-style-type: none"> <li>• Minors are strictly prohibited from working with and on the product and its accessories.</li> <li>• The personnel may not execute any actions on the product or the accessories when they are under the influence of drugs, medications, alcohol or other substances that may impair their consciousness.</li> </ul>

### Operating personnel

Operating personnel are persons who are able to operate the product and the accessories safely on the basis of knowledge of the manual and instruction at the product and accessories. Operating personnel can recognise possible malfunctions and dangerous situations independently and arrange for corresponding measures.

### Skilled technical personnel - transport and storage

Skilled technical personnel - transport and storage are people who, due to their training, professional experience and qualifications, have all the necessary skills to safely execute all actions in connection with the transport and storage of the product, to instruct, to recognise possible dangerous situations independently and to execute measures to avoid danger.

The skills required include, in particular, experience operating hoists, forklifts and lifting equipment and familiarity with locally applicable laws, standards and guidelines relating to transport and storage.

### Skilled technical personnel - pressure equipment and systems

Skilled technical personnel specialising in pressure equipment and plants are people who, as a result of their training, professional experience, qualifications and further training, have all the requisite skills to safely perform all actions related to pressurised fluids and systems, to instruct, to independently identify potentially hazardous situations, and to implement appropriate measures to avert any danger.









The skills required include, in particular, experience using measuring equipment and control equipment, as well as familiarity with locally applicable laws, standards and regulations for pressurised systems.

### Skilled technical personnel - customer service

Skilled technical personnel - customer service are people who have the skills and qualifications of the skilled personnel definitions named above. Skilled technical personnel - customer service must have documented proof of training for all work on the product and be authorised.

## 2.4 Explanation of the safety symbols used

The symbols used below indicate safety-relevant and important information which must be adhered to when handling the product and to ensure safe and optimum operation.

Symbol	Description / Explanation
	General warning symbol (danger, warning, caution)
	Warning: pressurised system
	Read and understand the installation and operation manual
	General mandatory requirement
	Wear safety footwear
	Use protective gloves (cut-proof and liquid-resistant)
	Wear safety goggles with side shields
	General information

## 2.5 Safety instructions and warning notices

This section provides an overview of all the important safety aspects for personal protection as well as for the safe and problem-free operation of the product and accessories.

The following sections list the dangers posed by this product and the accessories even with intended use. To minimise the risk of personal injury and damage to property and to avoid dangerous situations, observe the safety instructions listed and adhere to the warning notices in the other sections of this manual.

Basic warning notices and the necessary qualifications of skilled technical personnel are always listed at the beginning of the section in the “Warning notices“ section.

Warning notices related to specific actions are printed directly before potentially hazardous procedures or sequences of actions.

### 2.5.1 Generally applicable safety instructions

- Before starting work, refer to the technical documentation for the entire system and observe the overall operating instructions.
- Carry out a risk assessment before starting work on site (last minute risk assessment).
- Use suitable personal protective equipment for all work.
- Set up a safety area around the working area during all installation, maintenance and repair work.
- Use existing system-specific protection procedures (e.g., LOTO procedure) in order to safely de-energise and isolate the system or system sections.

### 2.5.2 Safe operation

The following actions may result in serious injury or death:

- Commissioning and operation of the product and accessories outside the permissible limit values and operating parameters
- Unauthorised interference and unauthorised modifications of the product and accessories

To guarantee the safe operation of the product and accessories, observe the following:

- Observe the limits and operating parameters specified on the type plate and in the manual.
- Check whether the permissible operating parameters have been changed or restricted by the use of accessories.
- Observe the assembly conditions and the ambient conditions.
- Adhere to the maintenance intervals.

### 2.5.3 Pressurised systems

The following situations may result in serious injury or death:

- Contact with fast or suddenly escaping fluids
- Bursting system parts
- Pressurised hose and pipe whipping as a result of disconnection

For the safe handling of pressurised systems, observe the following:

- Observe the following safety rules during all work:
  1. Shut down the system or system section.
  2. Secure the system or system section against restarting.
  3. Reduce the pressure in the system or all system sections to the ambient pressure.  
e.g. by slowly releasing the pressure in a controlled manner via relief valves
  4. Lock out and tag out the system or system section so that it cannot be pressurised again.
- Check the pressurised system or system section for safety, contamination and possible damage.
- Before pressurisation, check all system connections for leak tightness and tighten if necessary.
- Make absolutely sure to charge the system or system section with pressure slowly.
- Compensate any vibrations occurring in the pipe network by using vibration dampers.

### 2.5.4 Transport and storage

Inappropriate transport or storage may result in personal injury or damage to property.

In order to ensure safety during the transport and storage of the product and accessories, observe the following:

- Handle the packaging, the product and accessories carefully.
- Transport and handle the packaged product and accessories according to the markings on the packaging (note lifting gear attachment points, the centre of gravity and alignment e.g. keep vertical, do not throw etc.).
- Only use proper means of transport and lifting equipment that is in proper working order.
- Always adhere to the permissible storage parameters.
- Store the product and accessories only outside of areas exposed to direct sunlight, heat sources and splash water.
- Empty the assembled product before transporting it.

## 2.5.5 Installation

The improper assembly or electrical installation of the product and accessories may result in personal injury and damage to property and impair operation.

For safe assembly and electrical installation, observe the following:

- Assemble the product and all the parts, accessories and materials used free of mechanical stress.
- Check all plug-type connections for a correct fit.
- Prevent trip hazards by routing hoses appropriately.
- Fix and fasten hoses in such a way that they cannot flap around.
- Install the inlet and drain lines for condensate as fixed pipes.

## 2.5.6 Maintenance

Improperly carrying out maintenance and repair work may result in serious injury or death.

For safe maintenance and repairs, observe the following:

- Before starting work, depressurise the pressurised product and accessories and secure them against unintentional pressurisation.
- Before starting work, cut off the condensate feed to the product and divert the incoming condensate into a separate container.
- Only use materials approved for the respective application.
- Use only suitable tools that are in proper working order.
- Only use cleaned pipes and hoses that are free of dirt and corrosion.
- Never use abrasive or aggressive cleaning agents or solvents which could damage the outer coating (e.g. markings, type plate, corrosion protection, etc.).
- Never clean the device with hard or pointed implements.
- Use only the specified materials and media for cleaning.
- Observe statutory, local and in-house hygiene regulations.
- Pay attention to order and cleanliness during maintenance and repair work. Prevent contamination from entering the opened product or accessories. Store disassembled components and accessories directly in a safe place.
- After completing maintenance and repair work, remove all tools and cleaning agents used, as well as all parts that are no longer needed, from the work area.
- Only dispose of product and accessories when cleaned and freed of any residue.
- Dispose of all components, parts, operating and auxiliary materials as well as cleaning agents professionally and in accordance with all locally applicable regulations and standards.
- Dispose of electrical and electronic components using a specialist disposal company or return them to manufacturer.

## 2.5.7 Handling hazardous substances

Contact with condensate containing substances which endanger health and the environment can pose a health hazard, causing irritation and/or damage to the eyes, skin and mucous membranes. In addition, polluted condensate must be prevented from entering the sewerage system, waters or the ground.

For the safe handling of polluted condensate, observe the following:

- Use suitable personal protective equipment when handling condensate.
- Pick up and dispose of any leaking or spilled condensate in accordance with applicable regional laws and requirements.

## 2.5.8 Use of spare parts, accessories or materials

Use of incorrect spare parts, accessories, materials, auxiliary and operating materials, may result in death or serious injury. Malfunction, device failure or material damage may occur.

- Only use undamaged original parts, auxiliary and operating materials which are specified by the manufacturer to complete all work.
- Only use the materials approved for the respective application and suitable tools in proper working order.
- Only use cleaned pipes that are free of dirt and corrosion.
- Only use electric components and materials that comply with regionally applicable specifications and regulations (standards, directives etc.) for electrical safety.




## 2.6 Warning notices

Warning notices warn against dangers when handling the product and accessories.

In order to prevent accidents, personal injury and damage to property as well as impairments during operation, it is essential to adhere to the warning notices.

### Structural set up:

SIGNAL WORD	Type and source of danger!
 Symbol	Possible consequences if the danger is ignored
	<ul style="list-style-type: none"> <li>Measures to prevent the danger</li> </ul>

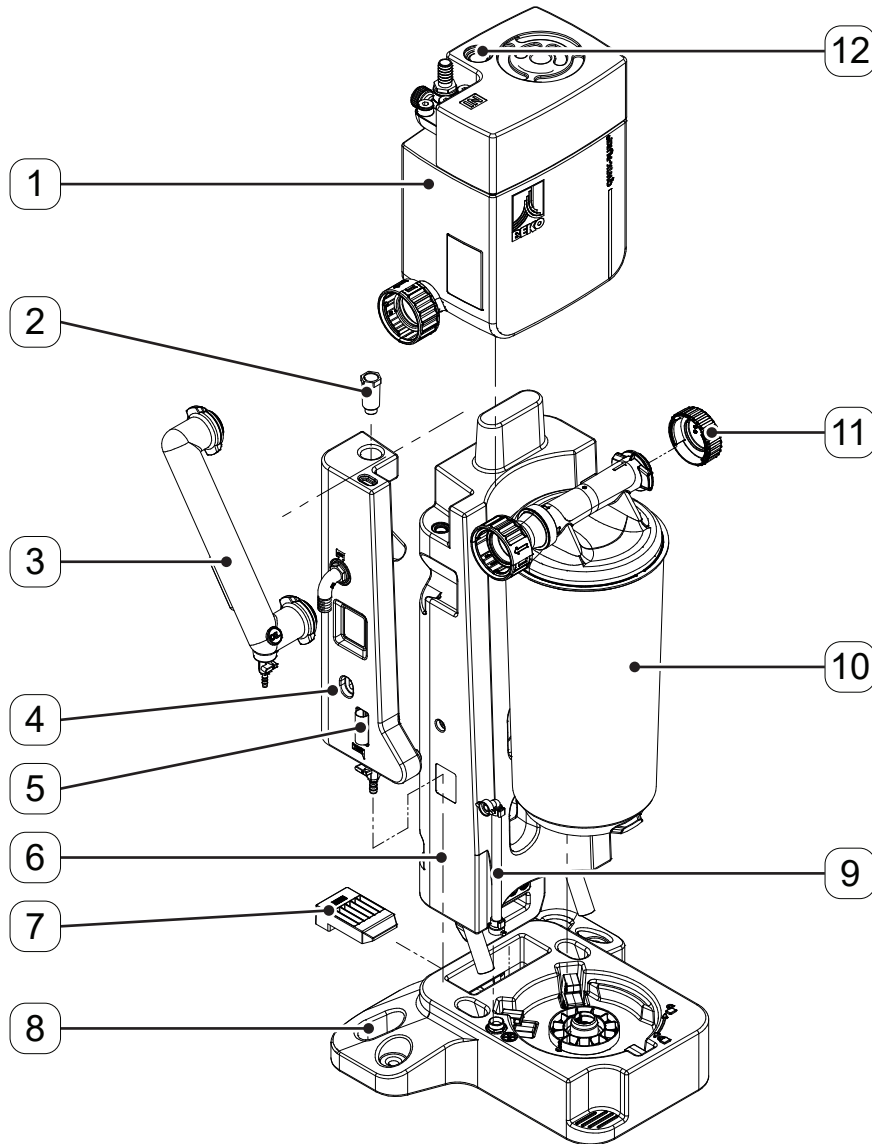
### Signal words:

<b>DANGER</b>	<b>Imminent hazard</b> Consequences of non-compliance: Death or serious personal injury
<b>WARNING</b>	<b>Imminent hazard</b> Consequences of non-compliance: Death or serious personal injury are possible
<b>CAUTION</b>	<b>Potential hazard</b> Consequences of non-compliance: Personal injury or damage to property are possible
<b>NOTE</b>	<b>Additional notes</b> Consequences of non-compliance: Damage to property, malfunction and device failure are possible. No hazard to people or endangerment of safe operation.

### 3. Product information

#### 3.1 Product overview

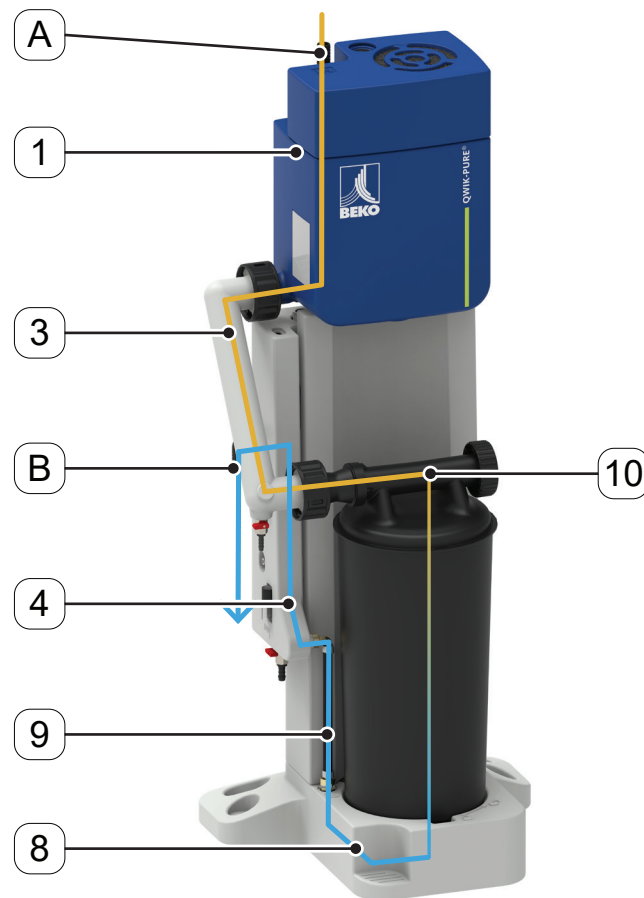
##### 3.1.1 QWIK-PURE® 10



No.	Description / explanation
[1]	Pressure relief chamber
[2]	Fixing screw
[3]	Connecting pipe
[4]	Clean water tank
[5]	Reference turbidity tube
[6]	Foot

No.	Description / explanation
[7]	Locking device
[8]	Collector
[9]	Riser duct
[10]	Filter cartridge
[11]	End cap
[12]	Level indicator

### 3.2 Function description



The condensate is fed from the condensate collection line via the condensate inlet **[A]** into the pressure relief chamber **[1]**. In the pressure relief chamber **[1]**, entrained compressed air is separated before the condensate flows through the connecting pipe **[3]** into the filter cartridge **[10]**.

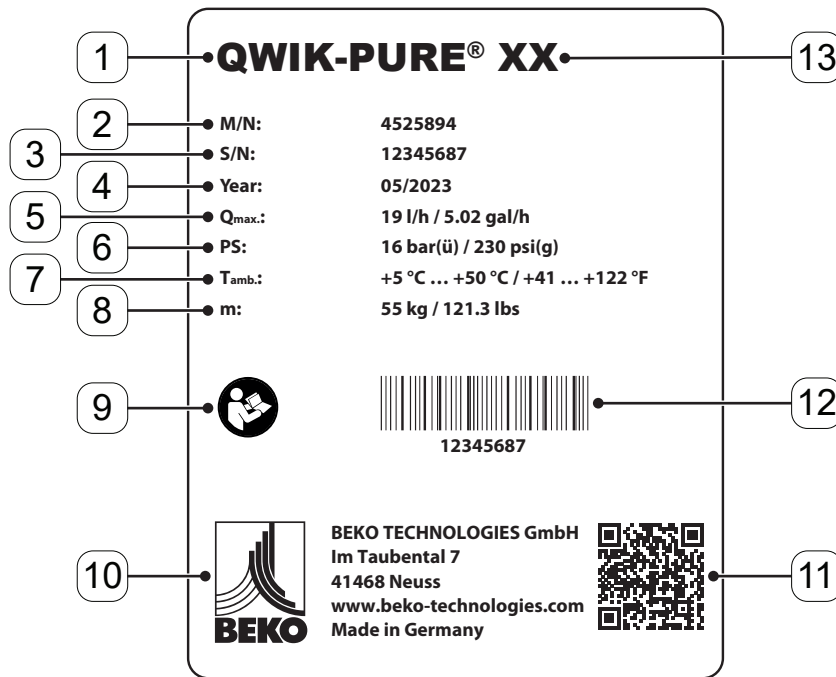
The condensate flows through the filter cartridge **[10]** into the collector **[8]**.

The purified condensate is fed from the collector **[8]** via the riser duct **[9]** into the clean water tank **[4]**. The purified condensate is conveyed into the wastewater connection through the condensate drain **[B]** of the clean water tank **[4]**.

If the filter cartridge **[10]** is saturated with oil, the filter cartridge **[10]** will need to be replaced (see section “9.3.2 Replacing filter cartridges” on page 42).

A level indicator **[12]** is integrated into the pressure relief chamber **[1]**. If the filling level in the pressure relief chamber **[1]** rises as a result of impaired condensate flow (see section “14. Troubleshooting” on page 62), the level indicator **[12]** will be pushed up so that the red marking on the level indicator **[12]** will become visible.

### 3.3 Type plate



No.	Description / explanation
[1]	Product name
[2]	Material number
[3]	Serial number
[4]	Month and year of manufacture
[5]	Maximum condensate flow rate
[6]	Maximum operating pressure
[7]	Ambient temperature
[8]	Maximum operating weight
[9]	“Read and understand the installation and operation manual” instruction symbol
[10]	Manufacturer contact information
[11]	QR code for downloading the product-specific documentation
[12]	Bar code
[13]	Size (e.g. 10)

### 3.4 Scope of delivery

The installation size and further delivery details are specified in the contractual documents.


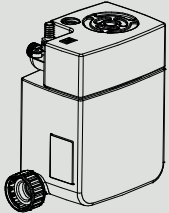
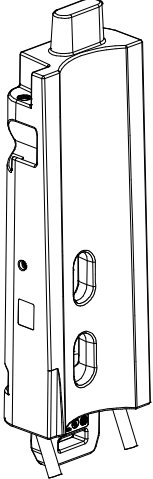
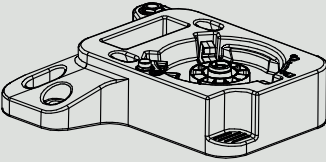
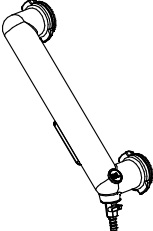
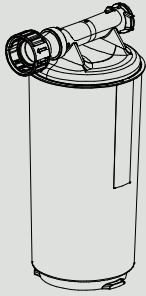






Illustration	Description / explanation
	<p>Quick Start Guide</p>
	<p>Pressure relief chamber</p>
	<p>Foot</p>
	<p>Collector 1 x 1 filter cartridge</p>
	<p>Connecting pipe</p>

Illustration	Description / explanation
	<p>Filter cartridge</p>
	<p>Elbow connector with union nut and flat gasket</p>
	<p>Fixing screw</p>
	<p>Riser duct</p>
	<p>End cap</p>
	<p>Locking device, foot</p>
	<p>Reference turbidity tube</p>

## 4. Technical data

### 4.1 QWIK-PURE® operating parameters

Parameter	QWIK-PURE® 10
Relative ambient air humidity	≤10 ... 80 %, without condensation
Maximum operating altitude above sea level	2000 m 2187.23 yd
Maximum operating pressure at condensate inlet	16 bar(g) 230 psi(g)
Minimum / maximum operating temperature, fluids and environment	+5 ... +50 °C +41 ... +122 °F
Maximum condensate flow rate <sup>*1</sup>	12.7 l/h 3.36 gal/h
Connection, condensate inlet	3 x G1/2", external, 1 x G1", external, Hose connections : 1 x 25 mm (0.98 in), external, 1 x 13 mm (0.52 in), external
Connection, condensate drain	25 mm (0.98 in), external, Hose connection
Media	Compressor condensate, oil-contaminated
Maximum operating weight	50 kg 110.2 lbs
Maximum oil concentration at condensate drain por <sup>*1</sup> t	10 mg/l 10 ppm

<sup>\*1</sup> Performance data according to building authority approval of the German Institute for Building Technology (DIBt)

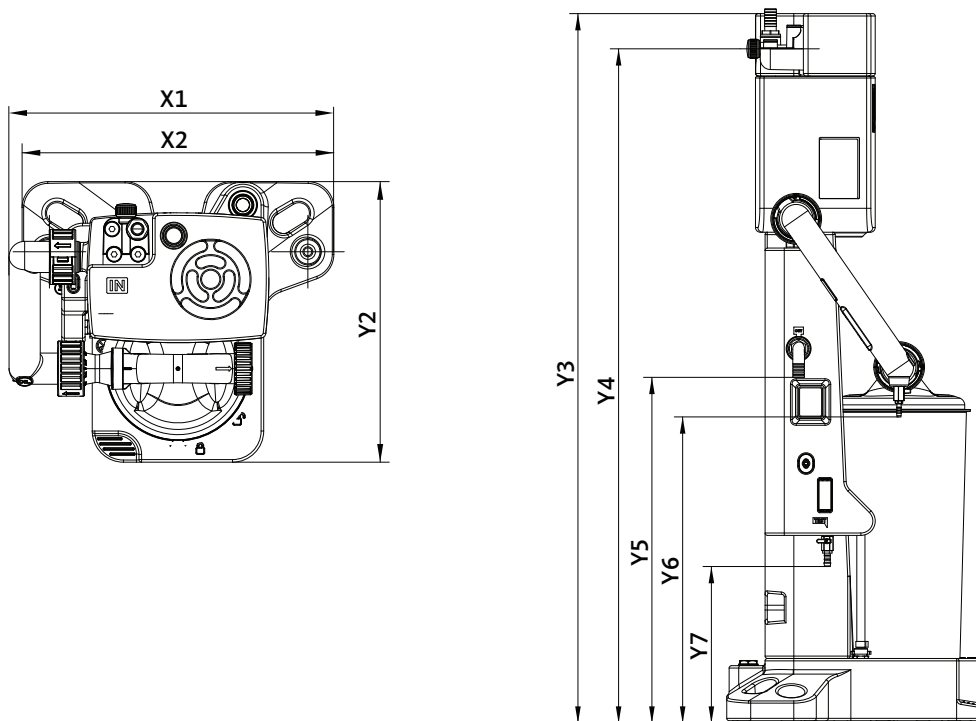
### 4.2 Storage parameters

Parameter	QWIK-PURE® 10
Minimum / maximum temperature	+5 °C ... +50 °C (+33.8 °F ... +122 °F)
Relative ambient air humidity	≤10 ... 80 %, without condensation
Empty weight	13.5 kg 29.8 lbs

### 4.3 Materials

Component	Material
Filter cartridge	Plastic blend and cellulose
Pressure relief chamber	PE
Condensate inlet	PA/PP/VA
Connecting pipe	PE
Clean water tank	PE
Foot	PE
Collector	PE

### 4.4 Dimensions

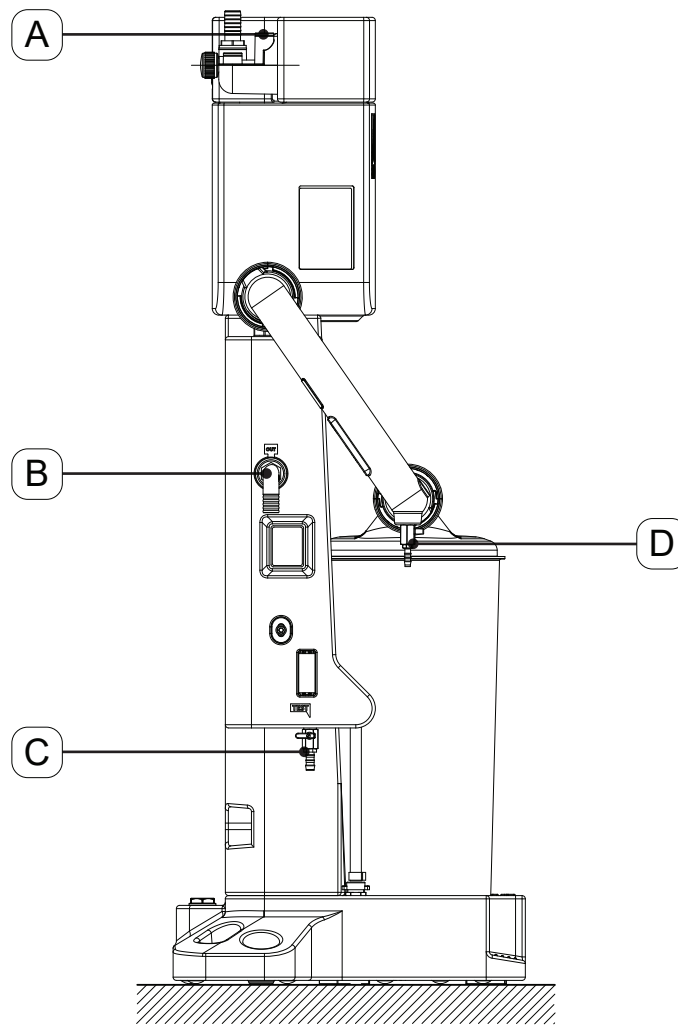


No.	[mm]	[in]
[X1]	625	24.61
[X2]	600	23.62
[X3]	--	--
[Y1]	--	--
[Y2]	540	21.26

No.	[mm]	[in]
[Y3]	1482	58.35
[Y4]	1408	55.43
[Y5]	722	28.43
[Y6]	639	25.16
[Y7]	327	12.87



### 4.5 Connections

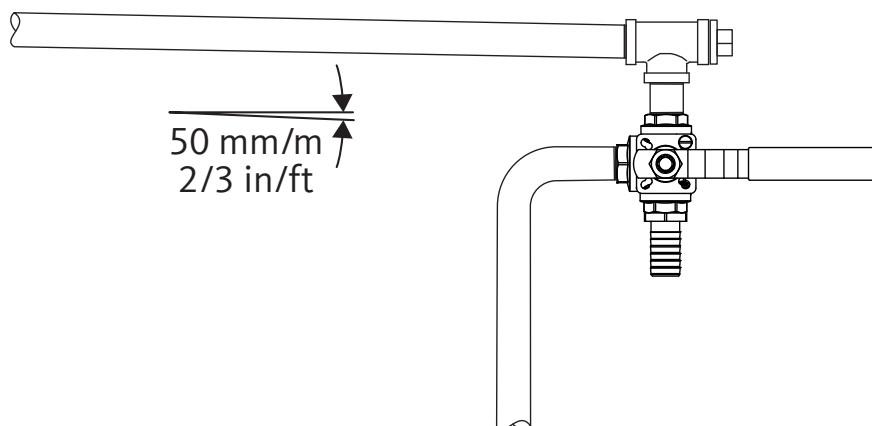


No.	Connection	Quantity	Description / explanation
[A]	25 mm (0.98 in)	1	Hose connection, connection for the condensate inlet
	13 mm (0.52 in)	1	Hose connection, connection for the condensate inlet
	G1/2"	2	Connection for the condensate inlet
[B]	25 mm (0.98 in)	1	Elbow connector, connection for draining the purified condensate
[C]	12 mm (0.47 in)	1	Service valve and hose connection
[D]	12 mm (0.47 in)	1	Drain valve with hose connection

## 4.6 Assembly conditions

Observe the following conditions when setting up and selecting the place of installation:





- The place of installation must meet the following conditions:
  - Indoors
  - Protected from mechanical loads
  - Protected from splash water
  - Protected from direct sunlight and areas exposed to heat sources
  - Protected from frost
  - Outside of hazardous locations
- The setup area must be level (gradient  $\leq 18$  mm/m (1/3 in/ft)) and smooth.
- The setup area's load capacity must be suitable for the maximum operating weight of the **QWIK-PURE®** (refer to section "4.1 QWIK-PURE® operating parameters" on page 19).
- The setup area must be sealed, or a suitable spill protection basin must be in place.
  - In the event of damage, no untreated condensate or oil may get into the sewer system or the soil.
  - All locally applicable standards and regulations regarding the protection of bodies of water must be complied with.
- Bumper guards must be installed if the product is being set up in the vicinity of traffic routes.
- The cross-sectional area of the condensate collection line must be greater than G1" ( $\varnothing = 25$  mm).
- Route the condensate collection line with a gradient  $\geq 50$  mm/m (2/3 in/ft) to the place of installation for the **QWIK-PURE®**.
- The manufacturer recommends installing a P-trap at the wastewater connection in order to prevent unpleasant odours.
- The manufacturer recommends installing a 3-way valve at the tapping point on the condensate collection line to divert the condensate inlet into a separate container during maintenance work.



Example illustration

## 5. Transport and storage

### 5.1 Warning notices

<b>WARNING</b>	<b>Insufficient qualification!</b>
	<p>Insufficient qualification of the personnel carrying out work on the product and accessories can lead to accidents, personal injury and damage to property as well as impair operation.</p>
	<ul style="list-style-type: none"> <li>• The work on the product and accessories described below may only be executed and documented by skilled personnel - transport and storage.</li> </ul>
<b>CAUTION</b>	<b>Inappropriate transport or storage!</b>
 	<p>Inappropriate transport or storage may result in personal injury or damage to the device.</p>
	<ul style="list-style-type: none"> <li>• Use personal protective equipment during all work with packaging material.</li> <li>• Handle the packaging, product and accessories with care.</li> <li>• Pack all parts impact-proof using suitable material.</li> <li>• Transport and handle the packaging in conformity with all markings and labels (note lifting gear attachment points, the centre of gravity and the direction, e.g. keep vertical, do not throw, etc.).</li> <li>• Only use proper means of transport and lifting equipment that is in proper working order.</li> <li>• Always adhere to the permissible transport and storage parameters.</li> <li>• Store the product and accessories only outside of areas exposed to direct sunlight and heat sources.</li> </ul>
<b>NOTE</b>	<b>Handling packaging material!</b>
	<p>Inappropriate disposal of packaging materials can cause environmental damage.</p>
	<ul style="list-style-type: none"> <li>• Dispose of the packaging material in accordance with the applicable legal requirements and provisions of the country and place of use.</li> </ul>

## 5.2 Transport





Transport work	
Illustration	Description / explanation
	<ul style="list-style-type: none"> <li>• Only transport the product and the accessories in their original packaging.</li> <li>• Secure the product and accessories in an upright position on a pallet so that they will not fall or shift during transportation.</li> <li>• Do not tilt the product or the accessories.</li> </ul>

## 5.3 Storage

Storage work	
Illustration	Description / explanation
	<ul style="list-style-type: none"> <li>• Only store the product and accessories in their original and undamaged packaging.</li> <li>• Adhere to the storage conditions in section “4.2 Storage parameters“.</li> <li>• The storage location is dry, frost-free and lockable.</li> <li>• Protect the product and accessories from external weather influences, direct sunlight and sources of heat.</li> <li>• Secure the product and accessories at the storage location so that they will not topple over or vibrate.</li> </ul>


## 6. Assembly

### 6.1 Warning notices

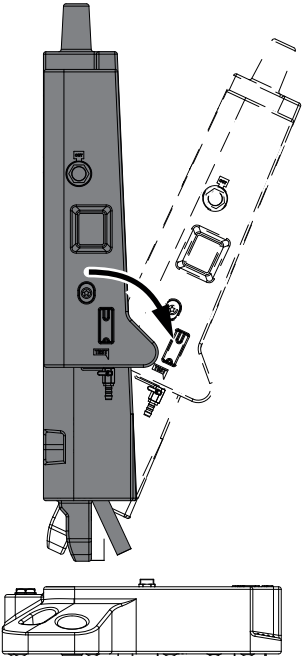
<b>DANGER</b>	<b>Use of incorrect spare parts, accessories or materials!</b>
	<p>Use of the incorrect spare parts, accessories or materials, as well as auxiliary and operating materials, may result in death or serious injury. Malfunctions and device failure as well as material damage can occur.</p>
	<ul style="list-style-type: none"> <li>• Only use undamaged original parts, auxiliary and operating materials which are specified by the manufacturer to complete all work.</li> <li>• Only use the materials approved for the respective application and suitable tools in proper working order.</li> <li>• Only use pipes that are free of dirt, damage and corrosion.</li> </ul>
<b>DANGER</b>	<b>Pressurised system!</b>
	<p>There is a danger of death or serious personal injury resulting from contact with fast or suddenly escaping fluids or through bursting system parts.</p>
	<ul style="list-style-type: none"> <li>• Before starting work, depressurise the pressurised system and secure it against unintentional pressurisation.</li> <li>• Set up a safety area around the working area during assembly, installation, maintenance and repair work.</li> <li>• Assemble all pipes free of mechanical stress.</li> <li>• Before pressurisation, check all system pipe connections for leak tightness and tighten if necessary.</li> <li>• Avoid pressure blows and high differential pressures.</li> </ul>
<b>WARNING</b>	<b>Insufficient qualification!</b>
	<p>Insufficient qualification of the personnel carrying out work on the product and accessories can lead to accidents, personal injury and damage to property as well as impair operation.</p>
	<ul style="list-style-type: none"> <li>• All work on the product and accessories may only be carried out by skilled technical personnel - pressure equipment and plants.</li> </ul>
<b>WARNING</b>	<b>Inappropriate assembly!</b>
	<p>Inappropriate assembly of the product and the accessories can lead to personal injury and damage to property as well as impair operation.</p>
	<ul style="list-style-type: none"> <li>• Install the product, the accessories and all parts and materials used so that they are not subject to mechanical tension.</li> <li>• Fix hoses in such a way that they do not flap around.</li> </ul>

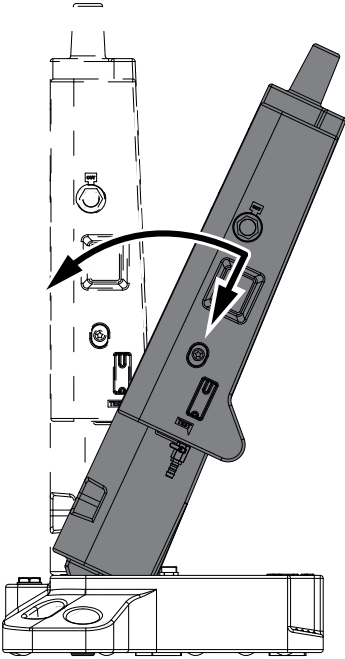
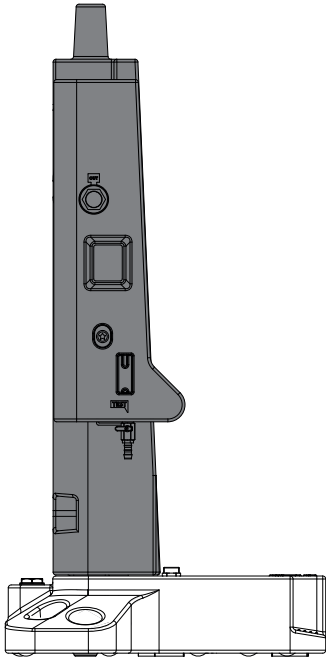
## 6.2 Assembly work

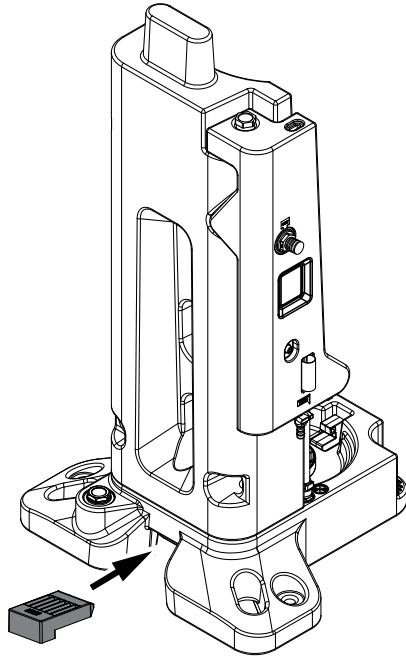
For assembly work to be carried out, the following prerequisites must be fulfilled and the preparatory tasks must have been completed.

Prerequisites		
Tools	Material	Protective equipment
<ul style="list-style-type: none"> <li>Adjustable spanner</li> <li>Water pump pliers</li> <li>Spirit level</li> </ul>	<ul style="list-style-type: none"> <li>Sealing material (e.g. PTFE tape) for sealing the condensate connections provided by the customer</li> <li>Hose clamps</li> <li>Hose for condensate</li> </ul>	<p><b>Always to be worn:</b></p> 

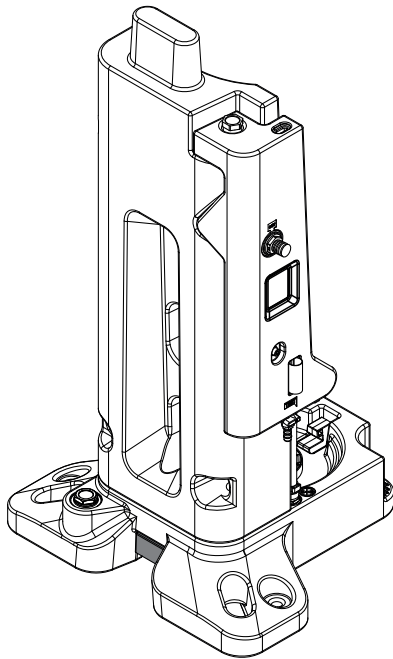
Preparatory tasks	
1.	Select and set up the place of installation according to the specifications in section “4.6 Assembly conditions” on page 22.
2.	The condensate inlet line provided by the customer must be depressurised and locked and tagged out to prevent unintentional pressurisation.
3.	Have the necessary tools and materials ready.
4.	Prepare the required connection materials suitable for the pressure and temperature range.
5.	Check the product for damage. Only use the product in an undamaged state.

Assembly work	
Illustration	Description / explanation
	<ol style="list-style-type: none"> <li>Position the collector on a flat surface.</li> <li>Align the foot with the positioning tubes facing downwards and position it over the assembly opening.</li> <li>Tilt the upper end of the foot towards the filter cartridge holder until the positioning tubes are vertical.</li> </ol>

Assembly work	
Illustration	Description / explanation
	<p>4. Carefully insert the foot into the installation openings while straightening it at the same time.</p>
	

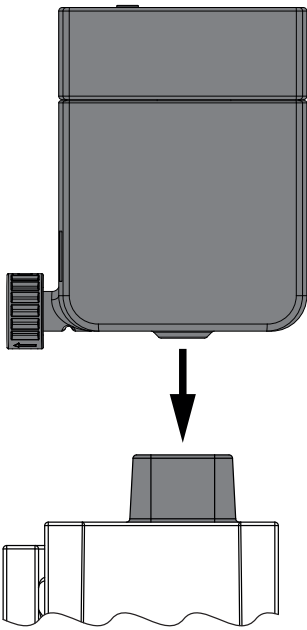
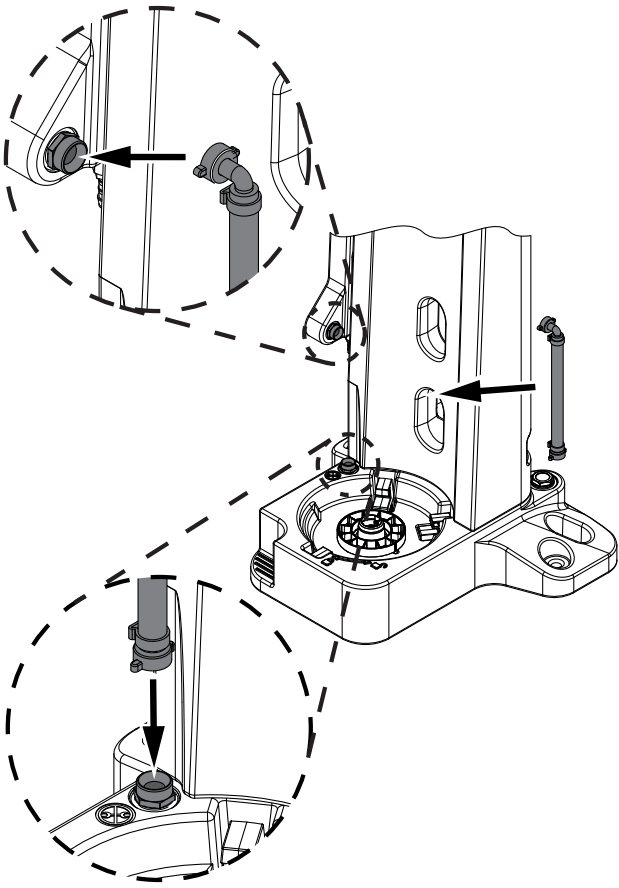
**Assembly work****Illustration****Description / explanation**

5. Align the locking device with the heel facing downwards and insert it into the locking device opening in the collector.

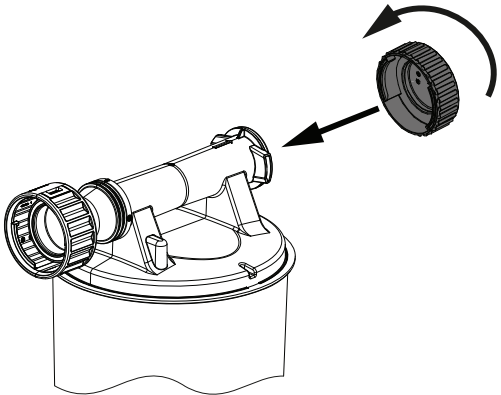


6. Press the locking device into the locking device opening as far as it will go.



Assembly work	
Illustration	Description / explanation
	<p>7. Place the pressure relief chamber on the foot.</p> <ul style="list-style-type: none"><li>→ Align the connection in the direction of the clean water tank.</li></ul>
	<p>8. Install the riser duct between the collector and the clean water tank.</p> <ul style="list-style-type: none"><li>→ Place the riser duct's straight fitting on the connection in the collector and tighten it clockwise by hand.</li><li>→ Place the riser duct's elbow fitting on the connection of the clean water tank and tighten it clockwise by hand.</li></ul>

**Assembly work**

Illustration	Description / explanation
	<p>9. Place the end cap on the filter cartridge and turn it clockwise all the way.</p>

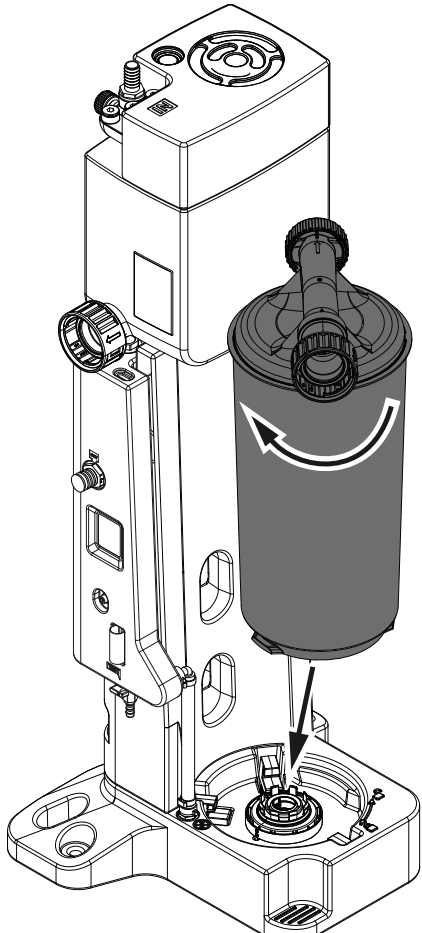
**NOTE**



**Filter cartridge insertion!**

Use of incorrect filter cartridges or incorrect insertion of the filter cartridges can cause damage or leakage to the collector and the filter cartridges.

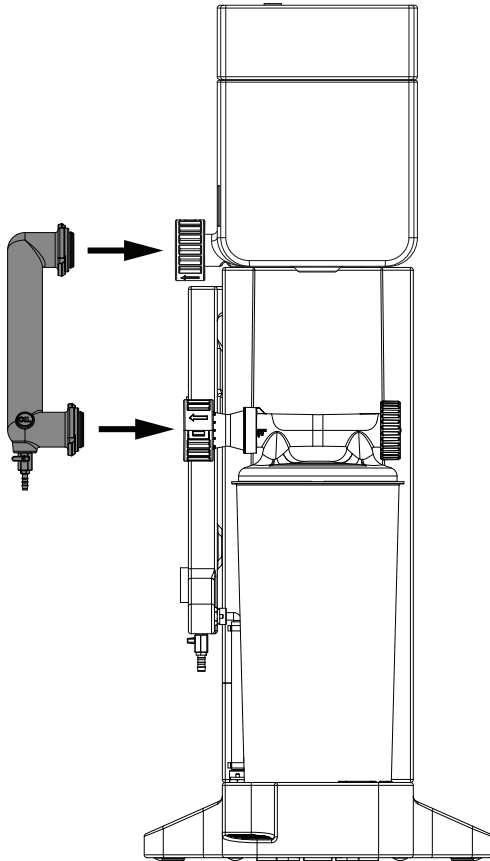
- Before inserting the filter cartridges, check to make sure that the filter cartridge is the right one for the product.
  - The colour of the cap at the bottom of the filter cartridge must be identical to the colour of the cap in the collector.
- Insert the filter cartridges vertically and carefully into the collector.

	<p>10. Insert the filter cartridge into the mount on the foot with the bayonet mount facing the clean water tank.</p> <p>11. Turn the filter cartridge clockwise all the way.</p>
---	---

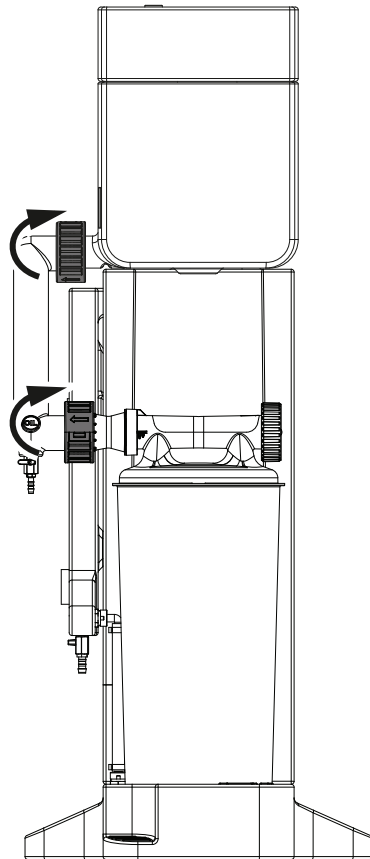
## Assembly work

### Illustration


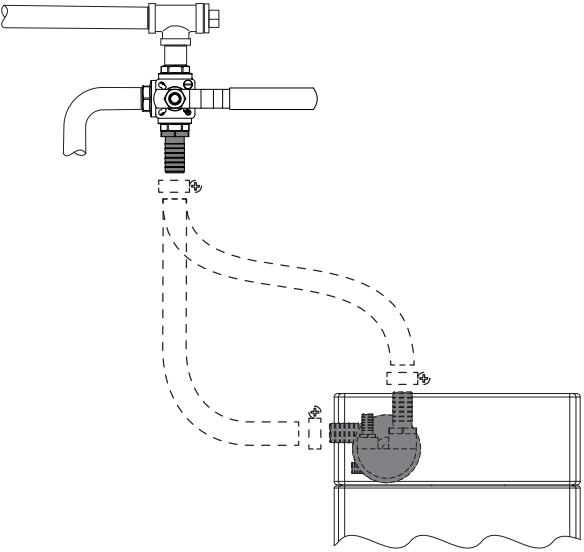
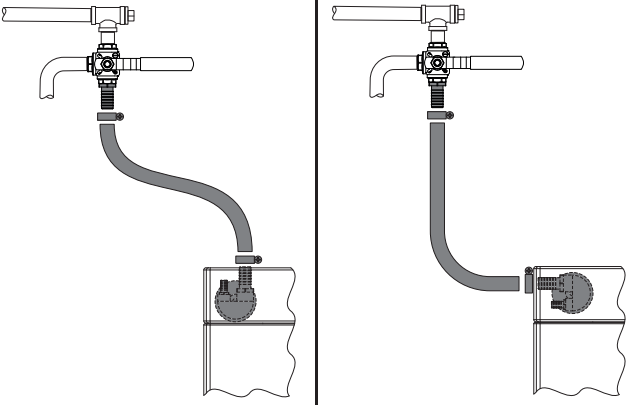
### Description / explanation

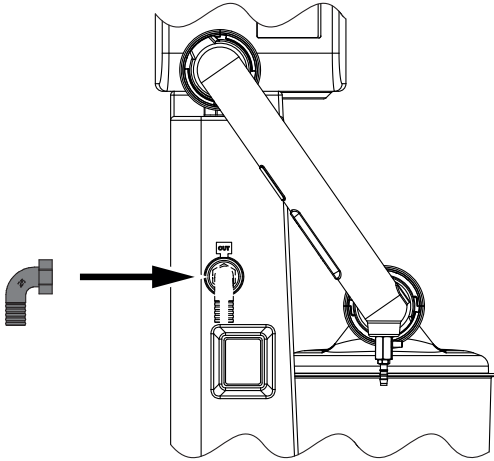

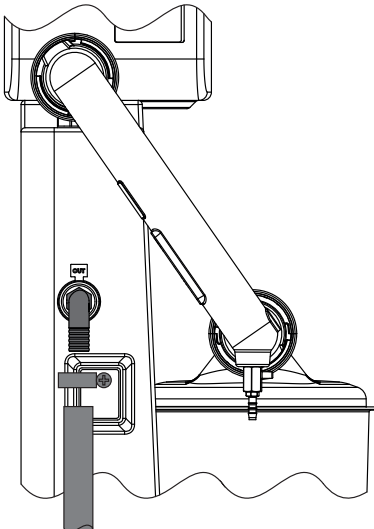


12. Check the sealing surfaces in the connecting pipe for damage and impurities.
  - Remove any dirt.
  - If there is any damage, contact **BEKO TECHNOLOGIES** Service (see section "1.1 Contact" on page 4).
13. Insert the connecting pipe into the connection for the pressure relief chamber.
  - Point the connecting pipe's drain valve downwards.
14. Align the connecting pipe's connection with the filter cartridge's connection.
15. Insert the connecting pipe into the filter cartridge connection.







16. Slide the bayonet mounts over the connections and turn them all the way clockwise.

Assembly work	
Illustration	Description / explanation
<p><b>NOTE</b></p>  <p><b>Damage due to incorrect hose routing.</b></p> <p>Incorrect hose routing can result in property and environmental damage, as well as impaired operation.</p> <ul style="list-style-type: none"> <li>Route all hoses in the shortest possible way.</li> <li>Install all hoses in such a way that they are free of mechanical stress and without any kinks.</li> <li>Lay all hoses in such a way that no mechanical stresses are transferred to the <b>QWIK-PURE®</b> and the minimum bending radii of the respective hose are observed.</li> <li>Do not lay the hoses in a slack manner (sagging).</li> </ul>	
	<p>17. Set up the assembled <b>QWIK-PURE®</b> offset from the tapping point.</p> <p>→ For optimal hose routing, the knurled head screw can be loosened in order to rotate the condensate inlet up to 90 degrees by hand. After turning it, tighten the knurled head screw hand-tight.</p>
	<p>18. Connect the tapping point with the condensate inlet of the pressure relief chamber with a hose and secure it against slipping with a hose clamp.</p> <p>→ Do not lay the hose in a slack manner (sagging).</p> <p>19. Tighten the hose clamps hand-tight.</p>

Assembly work	
Illustration	Description / explanation
	<p>20. Screw the supplied elbow connector with the mounted flat gasket clockwise as far as it will go onto the condensate drain of the <b>QWIK-PURE®</b> and position it so that the outlet is pointing downwards.</p>
<p><b>NOTE</b></p> 	<p><b>Overflow of the clean water tank.</b></p> <p>If there is no gradient towards the wastewater system connection, or if there are cross-sectional constrictions in the water outlet hose, this can lead to the clean water tank overflowing.</p> <ul style="list-style-type: none"> <li>• The connection to the wastewater system is located below the condensate drain.</li> <li>• Route the water outlet hose with a steady slope and without any kinks to the connection to the wastewater system.</li> </ul>
	<p>21. Attach a water outlet hose to the angled elbow connector on the condensate drain and secure it against slipping off with a hose clamp.</p> <p>22. Tighten the hose clamp hand-tight.</p> <p>23. Route the water outlet hose with a steady slope and without any kinks to the connection to the wastewater system.</p>


## 7. Commissioning

### 7.1 Warning notices

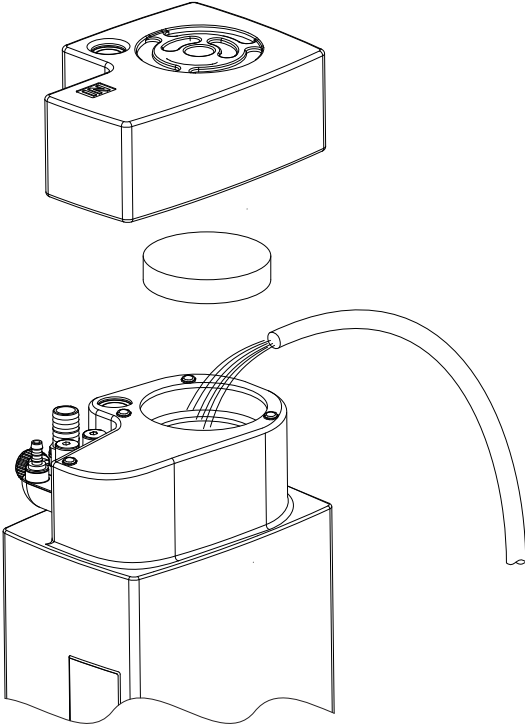
<b>DANGER</b>	<b>Operation outside the permissible limit range!</b>
	<p>Operation of the product and accessories outside the permissible limits and operating parameters, unauthorised intervention and modifications may result in death or serious injury.</p>
	<ul style="list-style-type: none"> <li>• Adhere to the limits and operating parameters specified on the type plate and in the manual.</li> <li>• Check whether the operating parameters have been amended or restricted by the use of accessories.</li> </ul>
<b>DANGER</b>	<b>Pressurised system!</b>
	<p>There is a danger of death or serious personal injury resulting from contact with fast or suddenly escaping fluids or through bursting system parts.</p>
	<ul style="list-style-type: none"> <li>• Before pressurisation, check all system pipe connections for leak tightness and tighten if necessary.</li> <li>• Avoid pressure blows and high differential pressures.</li> </ul>
<b>WARNING</b>	<b>Insufficient qualification!</b>
	<p>Insufficient qualification of the personnel carrying out work on the product and accessories can lead to accidents, personal injury and damage to property as well as impair operation.</p>
	<ul style="list-style-type: none"> <li>• All work on the product and accessories must be carried out exclusively by skilled technical personnel specializing in pressure equipment and plants and skilled technical personnel specializing in electrical equipment.</li> </ul>
<b>NOTE</b>	<b>Restricted function of the filter cartridges.</b>
	<p>When the clean water tank's ventilation opening is closed, the draining water produces a negative pressure in the clean water tank. This negative pressure will result in the condensate being sucked through the filter cartridges in an uncontrolled manner. This uncontrolled flow will reduce the performance of the filter cartridges.</p>
	<ul style="list-style-type: none"> <li>• Keep the clean water tank's ventilation opening open.</li> </ul>

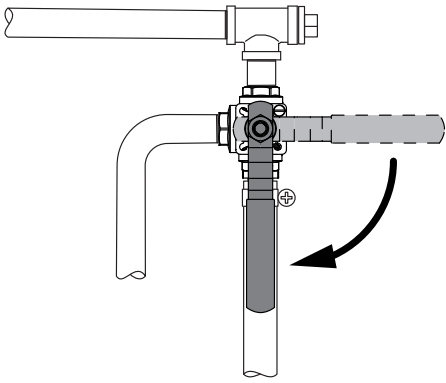
## 7.2 Initial commissioning

For initial commissioning work to be carried out, the following prerequisites must be fulfilled and the preparatory tasks must have been completed.

Prerequisites		
Tools	Material	Protective equipment
<ul style="list-style-type: none"> <li>No tool necessary</li> </ul>	<ul style="list-style-type: none"> <li>No material necessary</li> </ul>	<p><b>Always to be worn:</b></p> 




Preparatory tasks	
1.	Assembly of the <b>QWIK-PURE®</b> is complete.

Commissioning work	
Illustration	Description / explanation
	<ol style="list-style-type: none"> <li>Remove the cover from the pressure relief chamber and remove the activated carbon mat from the vent of the pressure relief chamber.</li> <li>Fill the pressure relief chamber with tap water via the vent. → Stop filling it as soon as water comes out from the condensate drain.</li> <li>Insert the activated carbon mat into the vent of the pressure relief chamber and place the cover on the pressure relief chamber.</li> </ol>

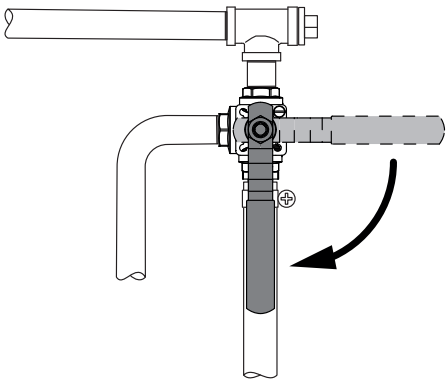
Commissioning work	
Illustration	Description / explanation
	<ol style="list-style-type: none"> <li>4. Slowly open the condensate feed to the <b>QWIK-PURE®</b>.</li> <li>5. Check all hoses and connections for leaks (see section “9.3.5 Leakage test” on page 49).</li> <li>6. Commissioning is complete and the discharged condensate is treated by the <b>QWIK-PURE®</b>.</li> </ol>

### 7.3 Recommissioning

For recommissioning work to be carried out, the following prerequisites must be fulfilled and the preparatory tasks must have been completed.

Prerequisites		
Tools	Material	Protective equipment
<ul style="list-style-type: none"> <li>• No tool necessary</li> </ul>	<ul style="list-style-type: none"> <li>• No material necessary</li> </ul>	<p><b>Always to be worn:</b></p> <div style="display: flex; justify-content: space-around; align-items: center;">    </div>




Preparatory tasks	
1.	The work or troubleshooting on <b>QWIK-PURE®</b> is complete.

Commissioning work	
Illustration	Description / explanation
	<ol style="list-style-type: none"> <li>1. Slowly open the condensate feed to the <b>QWIK-PURE®</b>.</li> </ol>



## 8. Operation

### 8.1 Warning notices

<b>DANGER</b>	<b>Operation outside the permissible limit range!</b>
	<p>Operation of the product and accessories outside the permissible limits and operating parameters, unauthorised intervention and modifications may result in death or serious injury.</p> <ul style="list-style-type: none"> <li>• Adhere to the limits and operating parameters specified on the type plate and in the manual.</li> <li>• Observe the assembly conditions and the ambient conditions.</li> <li>• Check whether the operating parameters have been amended or restricted by the use of accessories.</li> <li>• Adhere to the maintenance intervals.</li> </ul>
<b>NOTE</b>	<b>Operating personnel!</b>
	<p>Insufficient knowledge of the product and the accessories can lead to damage to property and the environment as well as impair operation.</p> <ul style="list-style-type: none"> <li>• The product and accessories may only be operated and used by qualified operating personnel.</li> </ul>
<b>NOTE</b>	<b>Restricted function of the filter cartridges.</b>
	<p>When the clean water tank's ventilation opening is closed, the draining water produces a negative pressure in the clean water tank. This negative pressure will result in the condensate being sucked through the filter cartridges in an uncontrolled manner. This uncontrolled flow will reduce the performance of the filter cartridges.</p> <ul style="list-style-type: none"> <li>• Keep the clean water tank's ventilation opening open.</li> </ul>

### 8.2 Working during operation

<b>Preparatory tasks</b>	
1.	The <b>QWIK-PURE®</b> has been set up and connected to the condensate collection line and the drain.
2.	The <b>QWIK-PURE®</b> has been fully commissioned.


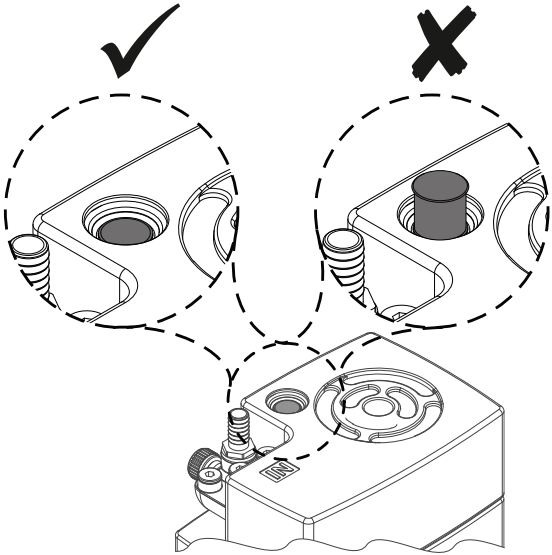
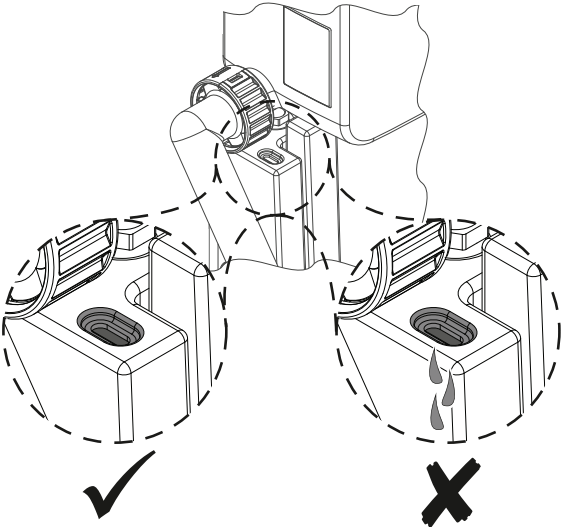



Prerequisites		
Tools	Material	Protective equipment
<ul style="list-style-type: none"> <li>No tool necessary</li> </ul>	<ul style="list-style-type: none"> <li>No material necessary</li> </ul>	<p><b>Always to be worn:</b></p> 

Illustration	Description
	<p>1. Check the level indicator.</p> <p><b>The level indicator is flush with the pressure relief chamber:</b></p> <ul style="list-style-type: none"> <li>→ The <b>QWIK-PURE®</b> works perfectly.</li> </ul> <p><b>The level indicator's red marking is visible:</b></p> <ul style="list-style-type: none"> <li>→ The pressure relief chamber's maximum filling level has been reached.</li> <li>→ The condensate flow has been disrupted (see section "14. Troubleshooting" on page 62).</li> </ul>
	<p>2. Check the clean water tank's ventilation opening.</p> <p><b>The ventilation opening is dry:</b></p> <ul style="list-style-type: none"> <li>→ The <b>QWIK-PURE®</b> works perfectly.</li> </ul> <p><b>Water is coming out from the ventilation opening:</b></p> <ul style="list-style-type: none"> <li>→ The water drainage has been disrupted (see section "14. Troubleshooting" on page 62).</li> </ul>

## 9. Maintenance

### 9.1 Warning notices

<b>DANGER</b>	<b>Pressurised system!</b>
	<p>There is a danger of death or serious personal injury resulting from contact with fast or suddenly escaping fluids or through bursting system parts.</p>
	<ul style="list-style-type: none"> <li>• Before starting work, depressurise the pressurised system and secure it against unintentional pressurisation.</li> <li>• Set up a safety area around the working area during assembly, installation, maintenance and repair work.</li> <li>• Assemble all pipes and hoses free of mechanical stress.</li> <li>• Before pressurisation, check all system connections for leak tightness and tighten if necessary.</li> <li>• Avoid pressure blows and high differential pressures.</li> </ul>
<b>DANGER</b>	<b>Use of incorrect spare parts, accessories or materials!</b>
	<p>The use of incorrect spare parts, accessories or materials, as well as auxiliary and operating materials, may result in death or serious injury. Malfunction and device failure as well as material damage can occur.</p>
	<ul style="list-style-type: none"> <li>• Only use undamaged original parts, auxiliary and operating materials which are specified by the manufacturer to complete all work.</li> <li>• Use only the approved materials and suitable tools for the respective purpose and make sure that they are in proper working order.</li> <li>• Only use cleaned pipes that are free of dirt and corrosion.</li> </ul>
<b>WARNING</b>	<b>Insufficient qualification!</b>
	<p>Insufficient qualification of the personnel carrying out work on the product and accessories can lead to accidents, personal injury and damage to property as well as impair operation.</p>
	<ul style="list-style-type: none"> <li>• All work on the product and the accessories may only be carried out by skilled technical personnel - customer service.</li> </ul>

## 9.2 Maintenance schedule

Maintenance	Interval
Turbidity test of wastewater and documenting the result	<ul style="list-style-type: none"> <li>• Weekly</li> </ul>
Visual inspection	<ul style="list-style-type: none"> <li>• Weekly</li> </ul>
Replace the filter cartridge and activated carbon mat	<ul style="list-style-type: none"> <li>• Mandatory in case of a negative result of the turbidity test</li> <li>• If the level indicator's red marking is visible</li> <li>• At least annually</li> </ul>
Leakage test	<ul style="list-style-type: none"> <li>• Recommendation: After all assembly and maintenance work on the product</li> </ul>

## 9.3 Maintenance work

For maintenance work to be carried out, the following prerequisites must be fulfilled and the respective preparatory tasks must have been completed.

### 9.3.1 Turbidity check of the purified condensate


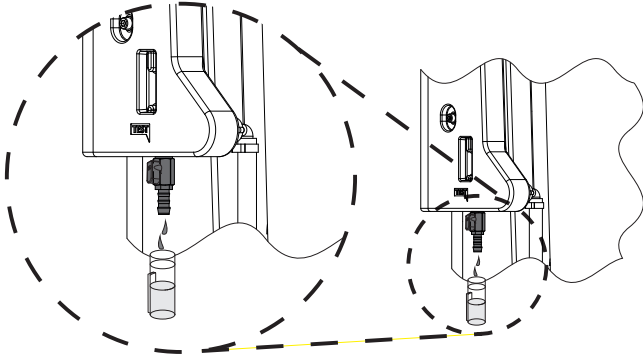
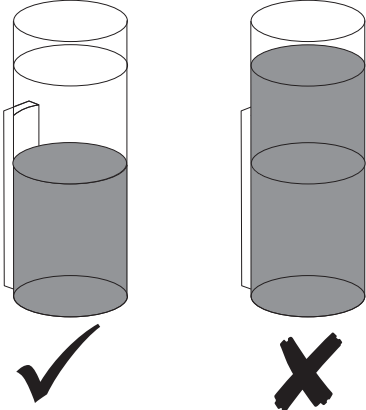

Prerequisites		
Tools	Material	Protective equipment
<ul style="list-style-type: none"> <li>No tool necessary</li> </ul>	<ul style="list-style-type: none"> <li>No material necessary</li> </ul>	<p><b>Always to be worn:</b></p> 

Illustration	Description
	<ol style="list-style-type: none"> <li>Remove the reference turbidity tube from the holder and fill it with a water sample from the service valve.</li> </ol>
	<ol style="list-style-type: none"> <li>Compare the sample with the reference turbidity on the lower half of the reference turbidity tube.                     <p><b>The sample is clearer than the reference turbidity:</b></p>                     → The <b>QWIK-PURE®</b> works perfectly. <p><b>The sample is equally or more turbid than the reference turbidity</b></p>                     → Replace the filter cartridges immediately.</li> <li>Document the result of the turbidity test.</li> </ol>

### 9.3.2 Replacing filter cartridges

Prerequisites		
Tools	Material	Protective equipment
<ul style="list-style-type: none"> <li>No tool necessary</li> </ul>	<ul style="list-style-type: none"> <li>Filter cartridges</li> <li>Activated carbon mat</li> </ul>	<p><b>Always to be worn:</b></p> 

Preparatory tasks	
1.	Provide the required number of new filter cartridges and the activated carbon mat next to the <b>QWIK-PURE®</b> .
2.	Remove the plugs from the packaging of the new filter cartridges and place them near the <b>QWIK-PURE®</b> .

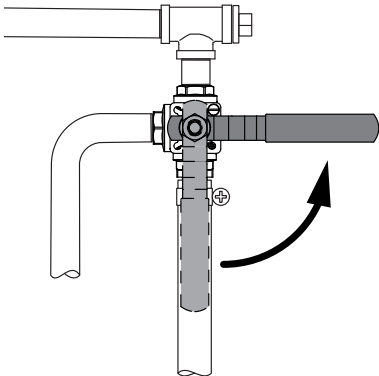
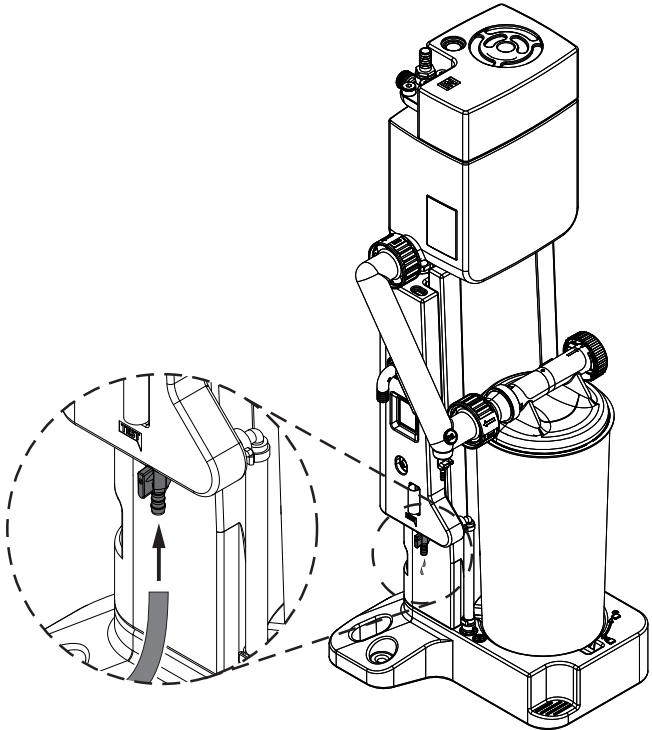
Illustration	Description / explanation
	<ol style="list-style-type: none"> <li>Cut off the condensate feed to the <b>QWIK-PURE®</b> and divert the condensate into a separate container.</li> </ol>
	<ol style="list-style-type: none"> <li>Connect the service valve on the clean water container to a collecting container and open the service valve.                             <ul style="list-style-type: none"> <li>→ Close the service valve the moment that condensate stops coming out.</li> </ul> </li> </ol>

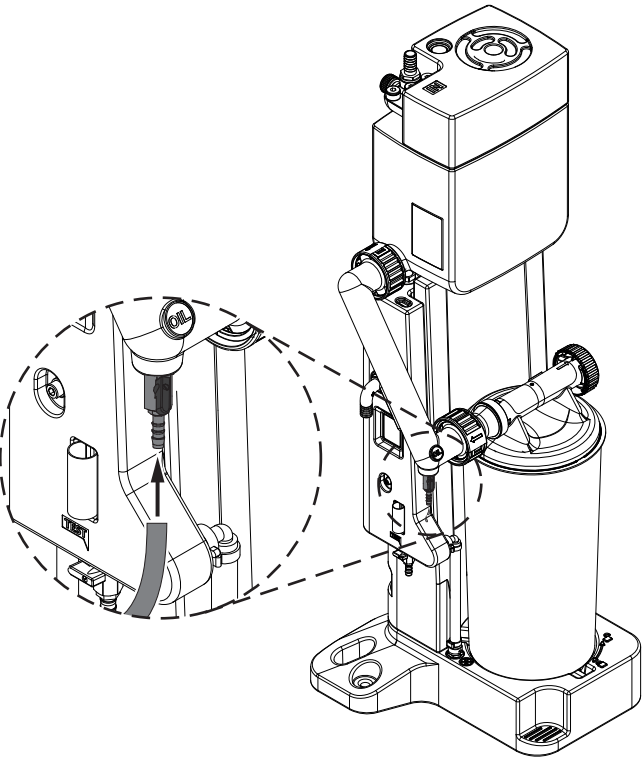
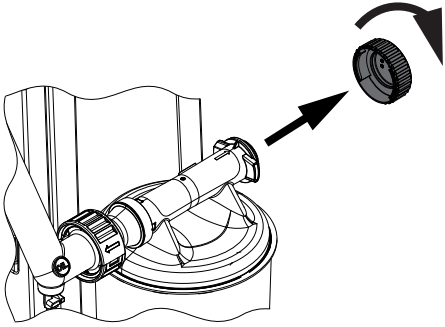
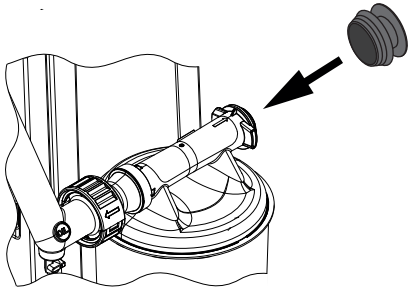

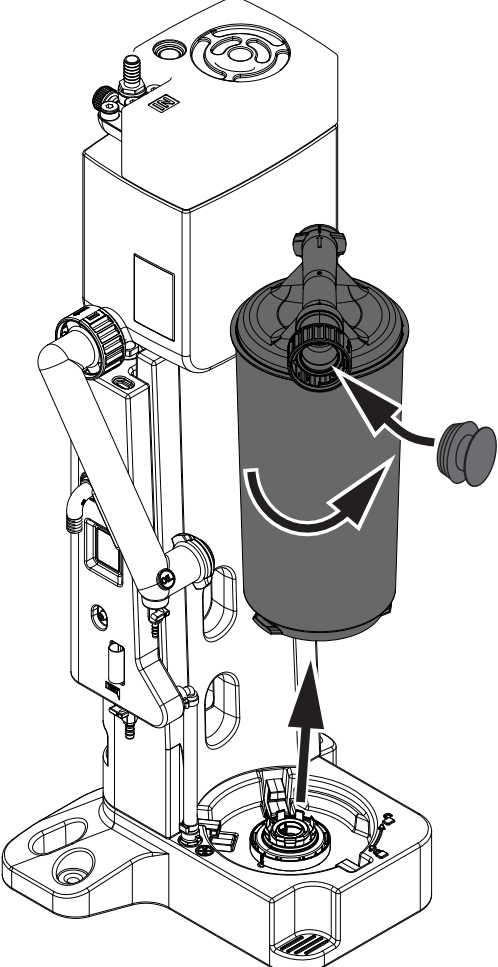
Illustration	Description / explanation
 A technical line drawing of the QWIK-PURE unit. A circular callout on the left shows a close-up of the drain valve assembly being connected to a pipe. The main drawing shows the unit's base, filter housing, and upper control panel.	<p>3. Connect the drain valve on the connecting pipe to a collecting container and open the drain valve.</p> <ul style="list-style-type: none"><li>→ Close the drain valve the moment that condensate stops coming out.</li><li>→ Pick up and dispose of any leaking or spilled condensate in accordance with applicable regional laws and requirements.</li></ul>
 A technical line drawing showing a close-up of the filter cartridge. An arrow points to a cap being turned anticlockwise and removed from the end of the cartridge.	<p>4. Turn the end cap on the filter cartridge anticlockwise and remove it.</p> <ul style="list-style-type: none"><li>→ Put the end cap to the side, as you will be screwing it back onto the new filter cartridge.</li></ul>
 A technical line drawing showing a close-up of the filter cartridge. An arrow points to a plug being inserted into the end of the cartridge to seal it.	<p>5. Use the plug to seal the filter cartridge.</p>

Illustration	Description / explanation
<p><b>CAUTION</b></p> 	<p><b>Lifting heavy loads!</b></p> <p>Lifting the full filter cartridge in an ergonomically incorrect manner can result in personal injury.</p> <ul style="list-style-type: none"> <li>• Lift the full cartridge in an ergonomically correct manner close to your body.</li> <li>• Use two people to lift the full cartridge over obstacles.</li> </ul>
	<ol style="list-style-type: none"> <li>6. Turn the bayonet mount of the filter cartridge anticlockwise and pull it off from the connection at the measuring chamber outlet.</li> <li>7. Turn the filter cartridge 45 degrees anticlockwise and seal it with the plugs.</li> <li>8. Lift the filter cartridge out of the collector and dispose of it properly (see section “13. Disposal” on page 60).</li> <li>9. Check the sealing surface of the connecting pipe connection for damage and dirt. <ul style="list-style-type: none"> <li>→ Remove any dirt.</li> <li>→ If there is any damage, contact <b>BEKO TECHNOLOGIES</b> Service (see section “1.1 Contact” on page 4).</li> </ul> </li> </ol>



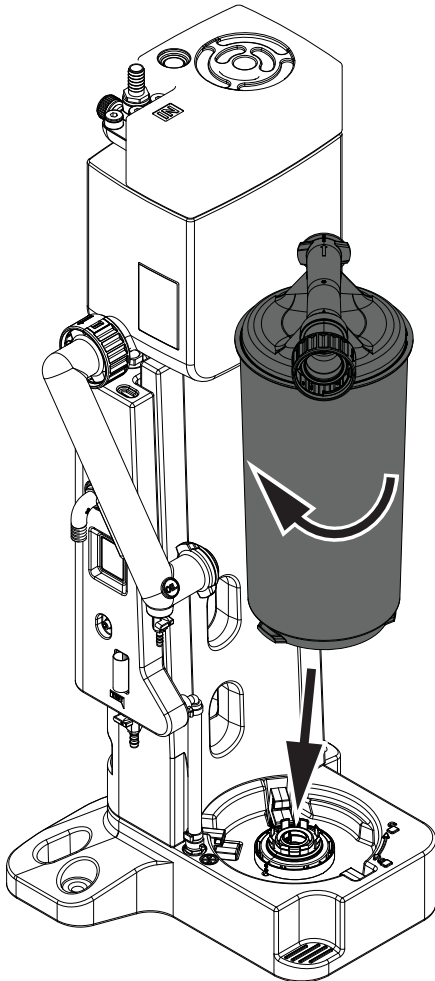
## Illustration

## Description / explanation

**NOTE****Filter cartridge insertion!**

Use of incorrect filter cartridges or incorrect insertion of the filter cartridges can cause damage or leakage to the collector and the filter cartridges.

- Before inserting the filter cartridges, check to make sure that the filter cartridge is the right one for the product.
  - The colour of the cap at the bottom of the filter cartridge must be identical to the colour of the cap in the collector.
- Insert the filter cartridges vertically and carefully into the collector.

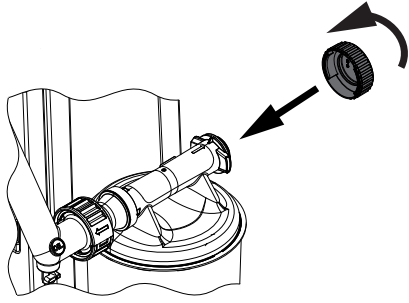
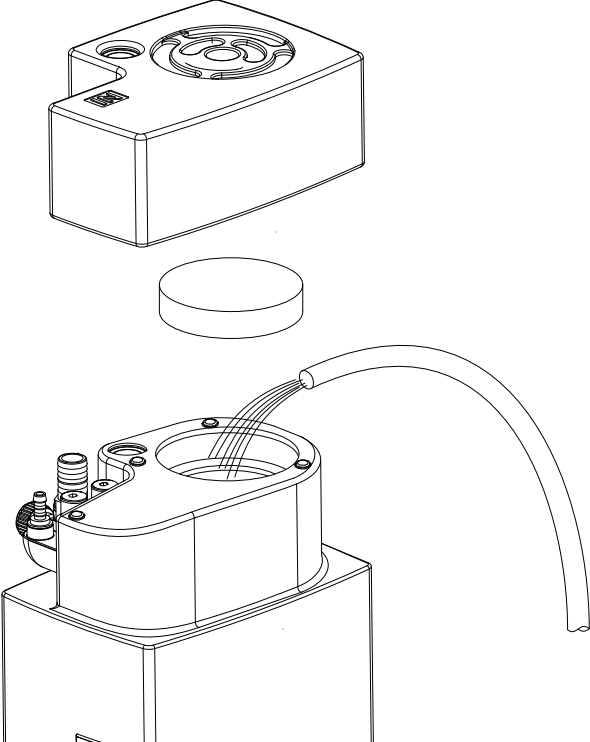
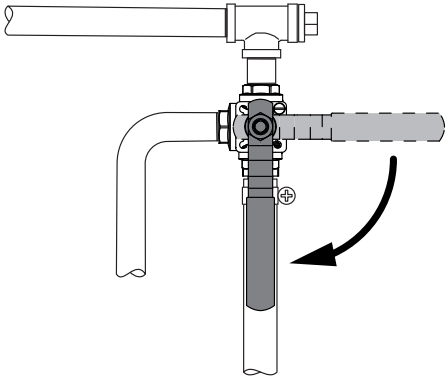


10. Insert the filter cartridge into the mount on the foot with the bayonet mount facing the connecting pipe.

11. Turn the filter cartridge clockwise all the way.



12. Align the connecting filter cartridge's connection with the connection on the connecting pipe.

13. Slide the bayonet mount over the connection and turn it clockwise as far as it will go.

Illustration	Description / explanation
	<p>14. Place the end cap on the filter cartridge and turn it clockwise all the way.</p>
	<p>15. Remove the cover from the pressure relief chamber and remove the activated carbon mat from the vent of the pressure relief chamber.</p> <p>16. Dispose of the activated carbon mat properly (see section “13. Disposal” on page 60).</p> <p>17. Fill the <b>QWIK-PURE®</b> with tap water via the vent.              → Stop filling it as soon as water comes out from the condensate drain.</p> <p>18. Insert the new activated carbon mat into the vent of the pressure relief chamber and place the cover on the pressure relief chamber.</p>
	<p>19. Slowly open the condensate feed.</p> <p>20. Check all hoses and connections for leaks (see section “9.3.5 Leakage test” on page 49).</p>


## 9.3.3 Cleaning

### 9.3.3.1 Warning notices

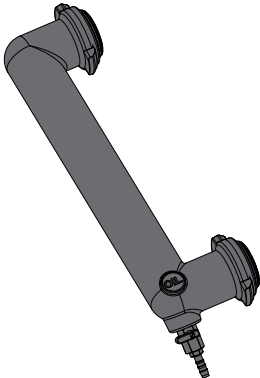
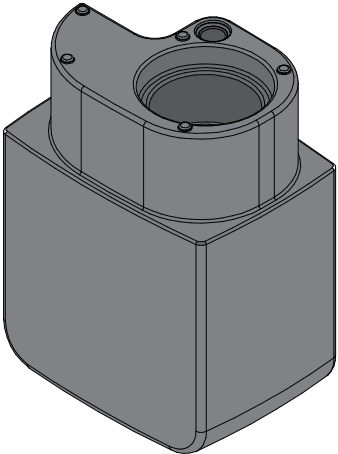
<b>CAUTION</b>	<b>Inappropriate cleaning and use of the wrong cleaning media!</b>
	<p>Inappropriate cleaning and the use of the wrong cleaning media may result in minor injuries as well as damage to health and damage to property.</p>
	<ul style="list-style-type: none"> <li>• Only use warm water to remove stubborn dirt or deposits.</li> <li>• Never use abrasive or aggressive cleaning agent or solvents which could damage the outer coating (e.g. markings, type plate, corrosion protection, etc.).</li> <li>• Never clean the device with hard or pointed implements.</li> <li>• Use an anti-static, damp cloth for cleaning the outside.</li> <li>• Immediately replace any product markings (pictograms, markings) that have become illegible.</li> <li>• Rinse out the product without pressure only.</li> </ul>
<b>NOTE</b>	<b>Local hygiene regulations!</b>
	<p>In addition to the cleaning instructions listed, any regionally applicable or company-specific hygiene regulations must be observed.</p>

### 9.3.3.2 Cleaning work

For cleaning work to be carried out, the following prerequisites must be fulfilled and the respective preparatory tasks must have been completed.

Prerequisites		
Tools	Material	Protective equipment
<ul style="list-style-type: none"> <li>No tools necessary</li> </ul>	<ul style="list-style-type: none"> <li>Warm water</li> <li>Cotton or disposable cloth</li> </ul>	<p><b>Always to be worn:</b></p> 

Preparatory tasks	
1.	The <b>QWIK-PURE®</b> has been decommissioned.
2.	The assembly unit to be cleaned has been dismantled.
3.	Bring the assembly unit to be cleaned to a washing station with an integrated oil separator.

Illustration	Description / explanation
	<p><b>Clean the connecting pipe</b> Flush the measuring chamber with warm water.</p>
	<p><b>Clean pressure relief chamber</b> Flush the pressure relief chamber with warm water.</p>

Concluding work	
1.	Transport the cleaned and dried assembly unit to the place of installation of the <b>QWIK-PURE®</b> and mount it.
2.	Put the <b>QWIK-PURE®</b> back into operation (see section “7. Commissioning” on page 34).

### 9.3.4 Visual inspection

During the visual inspection, check all components for mechanical damage and leaks. Replace damaged components immediately.

### 9.3.5 Leakage test

A leakage test is only possible if the **QWIK-PURE®** is completely filled with water.

1. Fill the **QWIK-PURE®** with tap water through the vent until water comes out of the condensate drain.
2. Check all hose and other connections for leaks.

Error or fault pattern	Measure
Leaky hose connection	<ul style="list-style-type: none"> <li>• Tighten the hose clamp.</li> <li>• Replace hardened hose and respective hose clamps.</li> </ul>
Bayonet catch leaking	<ul style="list-style-type: none"> <li>• Check the fit of the seal and correct if necessary.</li> <li>• Check the seal for damage and replace if necessary.</li> <li>• Tighten the bayonet fitting.</li> <li>• Check the seal for damage and replace if necessary.</li> </ul>
End cap leaking	<ul style="list-style-type: none"> <li>• Check the fit of the seal and correct if necessary.</li> <li>• Check the seal for damage and replace if necessary.</li> <li>• Tighten the end cap.</li> </ul>

## 10. Consumables, accessories and spare parts

### 10.1 Order information

BEKO TECHNOLOGIES customer service requires the following data for an inquiry or order:

- Product name and installation size (see type plate)
- Serial number (see type plate)
- Material number and designation of the accessory
- Required quantity of accessories to be delivered

The contact information for the relevant **BEKO TECHNOLOGIES** Service team is listed in section “1.1 Contact” on page 4.

### 10.2 Wear parts

Designation	Material number
Filter cartridge, including two plastic plugs	On request
Activated carbon mat, pressure relief chamber	On request

### 10.3 Accessories

Designation	Material number
<b>QWIK-PURE® 10</b> spill protection basin 900 mm x 800 mm (35.43 in x 31.5 in)	On request
Alarm sensor, changeover contact	On request
High pressure relief chamber	On request

## 10.4 Spare parts



Designation	Material number
Pressure relief chamber 25 l (6.6 gal)	On request
Condensate inlet, rotatable, including fixing screw	On request
<b>QWIK-PURE® 10</b> clean water tank, 2.5 l (0.66 gal)	On request
Foot	On request
Collector 1 x 1 filter cartridge	On request
Connecting pipe	On request
Reference turbidity tube	On request
Elbow connector with union nut, reducer fitting and flat gasket	On request
Fixing screw	On request
Riser duct	On request
End cap	On request
Locking device, foot	On request
Filter cartridge coding, collector	On request
Bayonet insert, collector	On request
<b>Seal kit:</b> <ul style="list-style-type: none"> <li>• G1" flat gasket</li> <li>• Condensate inlet O-ring</li> <li>• Filter cartridge seal</li> <li>• Clean water tank outlet seal</li> <li>• Pressure relief chamber outlet seal</li> </ul>	On request

# 11. Decommissioning

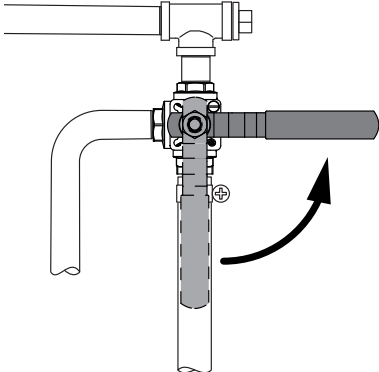
The **QWIK-PURE®** must be removed from service for prolonged periods of non-operation, e.g.:

- Repairs to the product or accessories
- Longer standstill of the entire system due to planned work (e.g. conversion work, major repairs, decommissioning of the overall system)

## 11.1 Warning notices

<b>DANGER</b>	<b>Pressurised system!</b>
	<p>There is a danger of death or serious personal injury resulting from contact with fast or suddenly escaping fluids or through bursting system parts.</p> <ul style="list-style-type: none"> <li>• Set up a safety area around the working area before starting work.</li> <li>• Before starting work, depressurise the pressurised system and secure it against unintentional pressurisation.</li> </ul>
<b>WARNING</b>	<b>Insufficient qualification!</b>
	<p>Insufficient qualification of the personnel carrying out work on the product and accessories can lead to accidents, personal injury and damage to property as well as impair operation.</p> <ul style="list-style-type: none"> <li>• All work on the product and the accessories may only be carried out by skilled technical personnel - customer service.</li> </ul>



## 11.2 Decommissioning work

Illustration	Description / explanation
	<ol style="list-style-type: none"> <li>1. Cut off the condensate feed to the <b>QWIK-PURE®</b> and divert the incoming condensate into a separate container.</li> </ol>






## 12. Disassembly

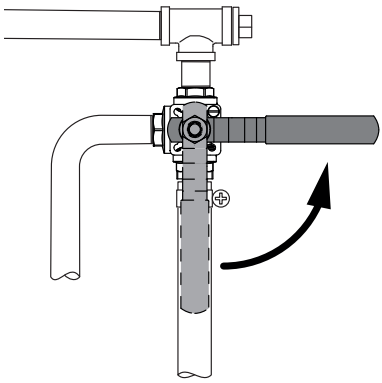
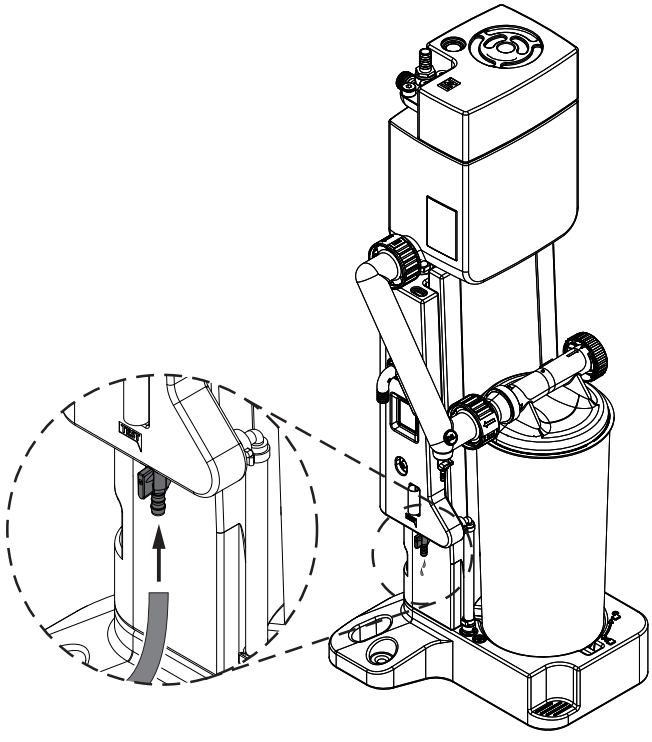
### 12.1 Warning notices

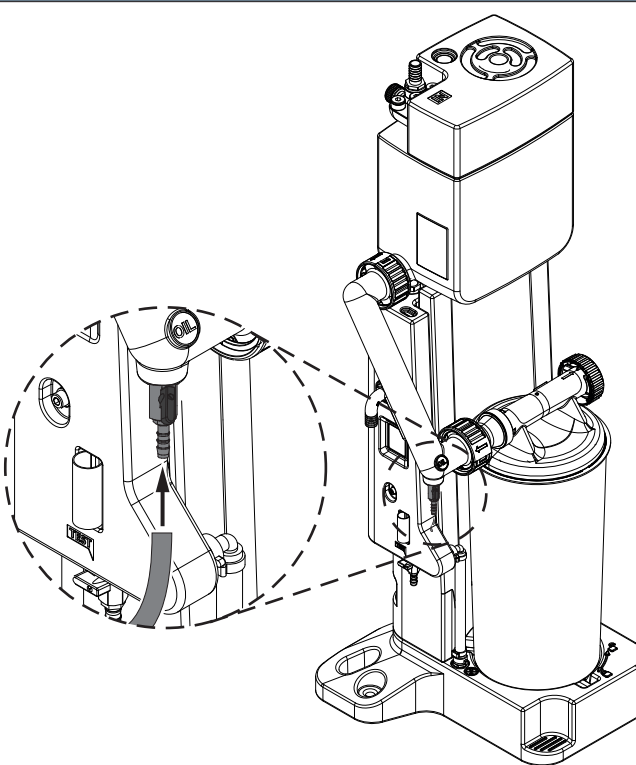
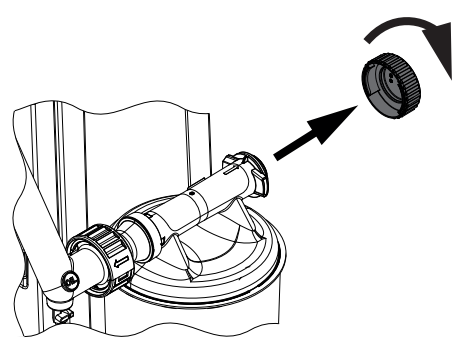
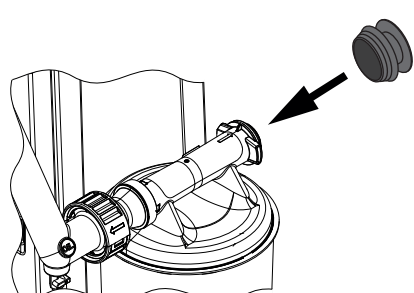
<b>DANGER</b>	<b>Pressurised system!</b>
	<p>There is a danger of death or serious personal injury resulting from contact with fast or suddenly escaping fluids or through bursting system parts.</p> <ul style="list-style-type: none"> <li>• Set up a safety area around the working area before starting work.</li> <li>• Before starting work, depressurise the pressurised system and secure it against unintentional pressurisation.</li> </ul>
<b>WARNING</b>	<b>Insufficient qualification!</b>
	<p>Insufficient qualification of the personnel carrying out work on the product and accessories can lead to accidents, personal injury and damage to property as well as impair operation.</p> <ul style="list-style-type: none"> <li>• All work on the product and the accessories may only be carried out by skilled technical personnel - customer service.</li> </ul>

### 12.2 Disassembly work

For disassembly work to be carried out, the following prerequisites must be fulfilled and the preparatory tasks must have been completed.

Prerequisites		
Tools	Material	Protective equipment
<ul style="list-style-type: none"> <li>• Adjustable spanner</li> <li>• Water pump pliers</li> </ul>	<ul style="list-style-type: none"> <li>• No material necessary</li> </ul>	<p><b>Always to be worn:</b></p> <div style="display: flex; justify-content: space-around; align-items: center;">    </div>

Disassembly work	
Illustration	Description / explanation
	<ol style="list-style-type: none"><li>1. Cut off the condensate feed to the <b>QWIK-PURE®</b> and divert the incoming condensate into a separate container.</li></ol>
	<ol style="list-style-type: none"><li>2. Connect the service valve on the clean water container to a collecting container and open the service valve.<ul style="list-style-type: none"><li>→ Close the service valve the moment that condensate stops coming out.</li></ul></li></ol>

Disassembly work	
Illustration	Description / explanation
	<p>3. Connect the drain valve on the connecting pipe to a collecting container and open the drain valve.</p> <ul style="list-style-type: none"> <li>→ Close the drain valve the moment that condensate stops coming out.</li> <li>→ Pick up and dispose of any leaking or spilled condensate in accordance with applicable regional laws and requirements.</li> </ul>
	<p>4. Turn the end cap on the filter cartridge anticlockwise and remove it.</p> <ul style="list-style-type: none"> <li>→ Put the end cap to the side, as you will be screwing it back onto the new filter cartridge.</li> </ul>
	<p>5. Use the plug to seal the filter cartridge.</p>

**Disassembly work**

Illustration	Description / explanation
--------------	---------------------------

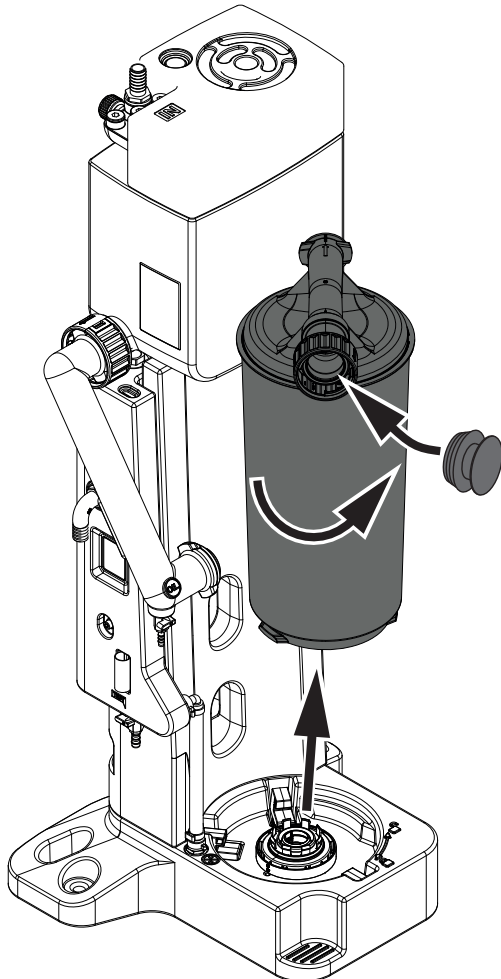
**CAUTION**



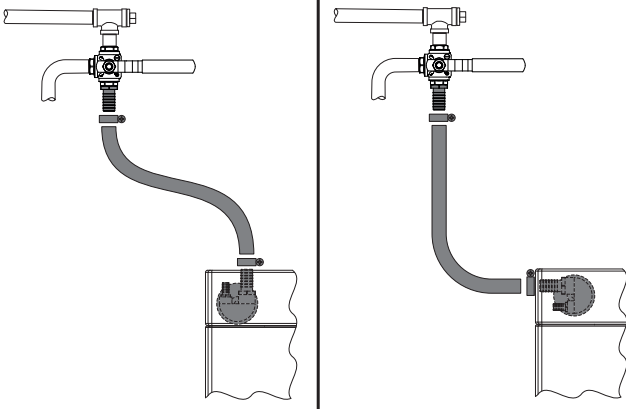
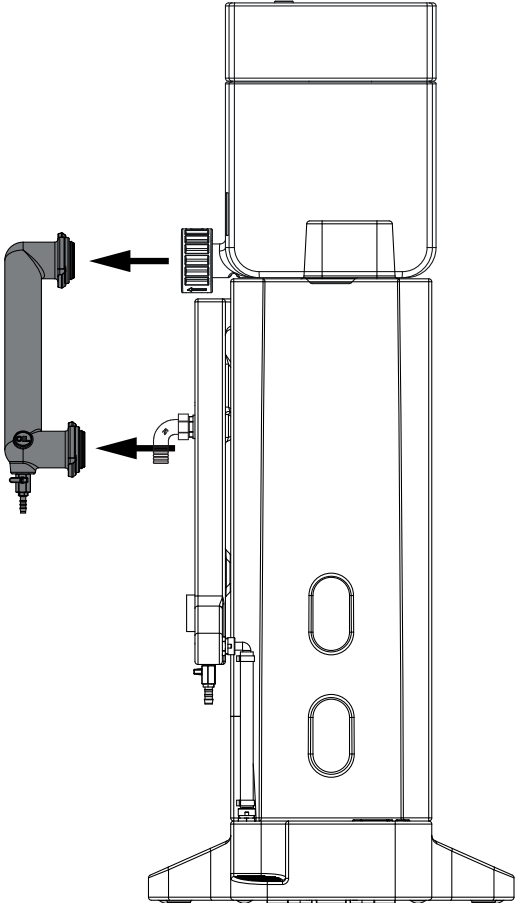
**Lifting heavy loads!**

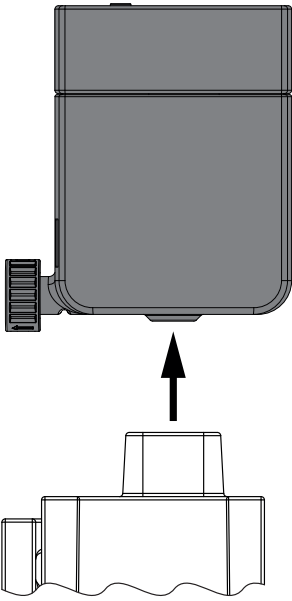
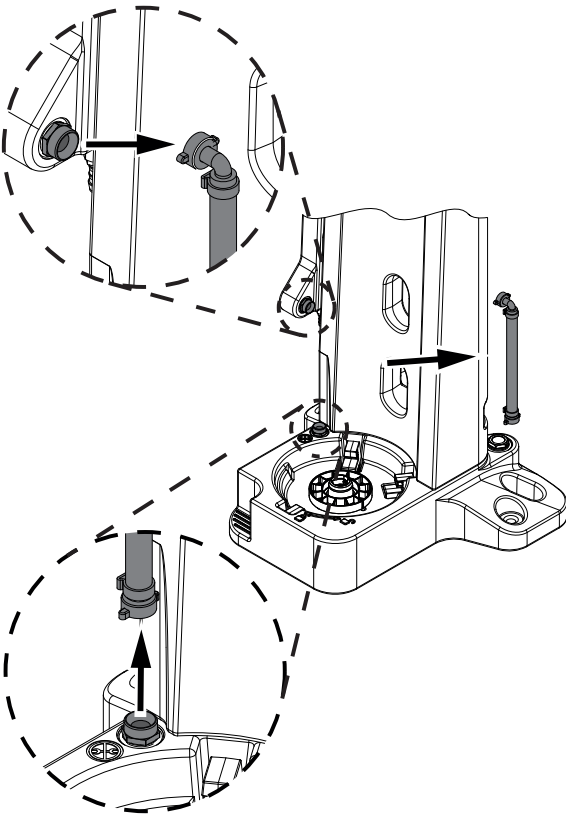
Lifting the full filter cartridge in an ergonomically incorrect manner can result in personal injury.

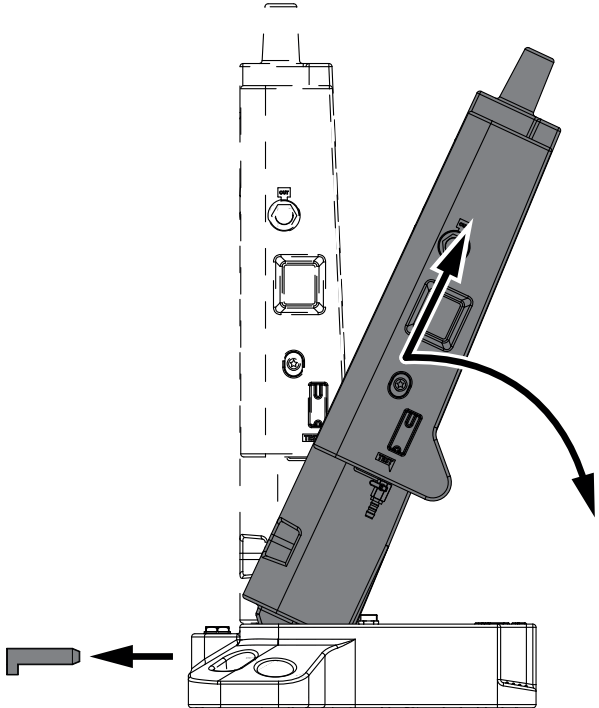
- Lift the full cartridge in an ergonomically correct manner close to your body.
- Use two people to lift the full cartridge over obstacles.



6. Turn the bayonet mount of the filter cartridge anticlockwise and pull it off from the connection at the measuring chamber outlet.
7. Turn the filter cartridge 45 degrees anticlockwise and seal it with the plugs.
8. Lift the filter cartridge out of the collector and dispose of it properly (see section “13. Disposal” on page 60).
9. Check the sealing surface of the connecting pipe connection for damage and dirt.
  - Remove any dirt.
  - If there is any damage, contact **BEKO TECHNOLOGIES** Service (see section “1.1 Contact” on page 4).

Disassembly work	
Illustration	Description / explanation
	<p>10. Remove the hose between the tapping point and the pressure relief chamber.</p>
	<p>11. Empty and remove the connecting pipe.</p> <p>12. Clean the connecting pipe (see section “9.3.3 Cleaning” on page 47).</p>

Disassembly work	
Illustration	Description / explanation
	<p>13. Empty and remove the pressure relief chamber.</p> <p>14. Clean the pressure relief chamber (see section “9.3.3 Cleaning” on page 47).</p>
	<p>15. Remove and clean the riser duct.</p>

Disassembly work	
Illustration	Description / explanation
	<p>16. Remove the locking device from the foot.</p> <p>17. Remove the foot from the collector. Make sure to tilt the foot in the direction of the filter cartridge mount.</p> <p>18. Empty and clean collector.</p> <p>19. Dispose of the dismantled components properly (see section "13. Disposal" on page 60).</p>

## 13. Disposal

At the end of their useful life the product and the accessories must be sent for disposal e.g. by a specialist company. Materials such as glass, plastics and some chemical compounds are mostly recoverable, reusable or recyclable.

### 13.1 Warning notices

<b>NOTE</b>	<b>Inappropriate disposal!</b>
	<p>The improper disposal of parts, components, operating and auxiliary materials, and cleaning products can cause environmental damage.</p>
	<ul style="list-style-type: none"> <li>• Dispose of all components, parts, operating and auxiliary materials as well as cleaning media professionally and in accordance with all locally applicable regulations and standards.</li> <li>• Dispose of electrical and electronic components through a specialist waste disposal company or return to <b>BEKO TECHNOLOGIES</b>.</li> <li>• In case of doubt, consult a local disposal company before disposal.</li> </ul>
<b>NOTE</b>	<b>Inappropriate storage.</b>
	<p>The improper storage of parts, components, operating materials and auxiliary materials, as well as cleaning media, can cause environmental damage.</p>
	<ul style="list-style-type: none"> <li>• Store all components, parts, operating and auxiliary materials as well as cleaning media properly and in accordance with all locally applicable regulations and standards.</li> <li>• Store used filter cartridges in one spill protection basin only.</li> </ul>



## 13.2 Disposal of operating and auxiliary materials

Operating material / auxiliary material	EU waste code
Adsorption materials, filter materials, cleaning wipes and protective clothing - contaminated by oils or other hazardous substances	15 02 02
Adsorption materials, filter materials, cleaning wipes and protective clothing - with the exception of those classified by 15 02 02	15 02 03
Packaging - paper and cardboard	15 01 01
Packaging - plastic material	15 01 02
Waste oil - mineral	13 02 05
Waste oil - synthetic	13 02 06

## 13.3 Disposal of components

Ensure the following prerequisites are met before disposal:

Prerequisites	
1.	The product and the accessories have been decommissioned and disassembled.
2.	The product and the accessories have been cleaned and any fluid residue has been removed from them.

Components	EU waste code
Plastic material	20 01 39
Metals	20 01 40

## 14. Troubleshooting

In the event of any malfunctions which are not described, malfunctions which cannot be eliminated or questions, contact **BEKO TECHNOLOGIES** customer service, see “1.1 Contact” on page 4.

Error or fault pattern	Possible cause	Measure
The level indicator's red marking is visible.	1. The filter cartridge cannot absorb any more oil.	Replace the filter cartridge (see section “9.3.2 Replacing filter cartridges” on page 42).
	2. The filter cartridge is clogged.	Replace the filter cartridge (see section “9.3.2 Replacing filter cartridges” on page 42).
	3. The riser is clogged.	Clean or replace the riser.
Water is coming out from the ventilation opening of the clean water tank.	1. The water outlet hose on the elbow connector is clogged.	Clean or replace the water outlet hose.
	2. The connection to the wastewater system is clogged.	Check and clean the connection to the wastewater system.



**BEKO TECHNOLOGIES GmbH**

Im Taubental 7  
 D - 41468 Neuss  
 Tel. +49 2131 988 0  
 Fax +49 2131 988 900  
 info@beko-technologies.com  
 service-eu@beko-technologies.com

**DE****BEKO TECHNOLOGIES LTD.**

Unit 11-12 Moons Park  
 Burnt Meadow Road  
 North Moons Moat  
 Redditch, Worcs, B98 9PA  
 Tel. +44 1527 575 778  
 info@beko-technologies.co.uk

**GB****BEKO TECHNOLOGIES S.à.r.l.**

Zone Industrielle  
 1 Rue des Frères Rémy  
 F - 57200 Sarreguemines  
 Tél. +33 387 283 800  
 info@beko-technologies.fr  
 service@beko-technologies.fr

**FR****BEKO TECHNOLOGIES B.V.**

Veenen 12  
 NL - 4703 RB Roosendaal  
 Tel. +31 165 320 300  
 benelux@beko-technologies.com  
 service-bnl@beko-technologies.com

**NL****BEKO TECHNOLOGIES  
(Shanghai) Co. Ltd.**

Rm.715 Building C, VANTONE Center  
 No.333 Suhong Rd.Minhang District  
 201106 Shanghai  
 Tel. +86 (21) 50815885  
 info.cn@beko-technologies.cn  
 service1@beko.cn

**CN****BEKO TECHNOLOGIES s.r.o.**

Na Pankraci 58  
 CZ - 140 00 Praha 4  
 Tel. +420 24 14 14 717 /  
 +420 24 14 09 333  
 info@beko-technologies.cz

**CZ****BEKO Tecnológica España S.L.**

Torruella i Urpina 37-42, nave 6  
 E - 08758 Cervelló  
 Tel. +34 93 632 76 68  
 Mobil +34 610 780 639  
 info.es@beko-technologies.es

**ES****BEKO TECHNOLOGIES LIMITED**

Room 2608B, Skyline Tower,  
 No. 39 Wang Kwong Road  
 Kwloon Bay Kwloon, Hong Kong  
 Tel. +852 2321 0192  
 Raymond.Low@beko-technologies.com

**HK****BEKO TECHNOLOGIES INDIA Pvt. Ltd.**

Plot No.43/1 CIEEP Gandhi Nagar  
 Balanagar Hyderabad  
 IN - 500 037  
 Tel. +91 40 23080275 /  
 +91 40 23081107  
 Madhusudan.Masur@bekoindia.com  
 service@bekoindia.com

**IN****BEKO TECHNOLOGIES S.r.l**

Via Peano 86/88  
 I - 10040 Leinì (TO)  
 Tel. +39 011 4500 576  
 Fax +39 0114 500 578  
 info.it@beko-technologies.com  
 service.it@beko-technologies.com

**IT****BEKO TECHNOLOGIES K.K**

KEIHIN THINK Building 8 Floor  
 1-1 Minamiwatarida-machi  
 Kawasaki-ku, Kawasaki-shi  
 JP - 210-0855  
 Tel. +81 44 328 76 01  
 info@beko-technologies.jp

**JP****BEKO TECHNOLOGIES Sp. z o.o.**

ul. Pańska 73  
 PL - 00-834 Warszawa  
 Tel. +48 22 314 75 40  
 info.pl@beko-technologies.pl

**PL****BEKO TECHNOLOGIES S. de R.L. de C.**

BEKO Technologies, S de R.L. de C.V.  
 Blvd. Vito Alessio Robles 4602 Bodega 10  
 Zona Industrial  
 Saltillo, Coahuila, 25107  
 Mexico  
 Tel. +52(844) 218-1979  
 informacion@beko-technologies.com

**MX****BEKO TECHNOLOGIES CORP.**

900 Great Southwest Pkwy SW  
 US - Atlanta, GA 30336  
 Tel. +1 404 924-6900  
 Fax +1 (404) 629-6666  
 beko@bekousa.com

**US**