

EN - english

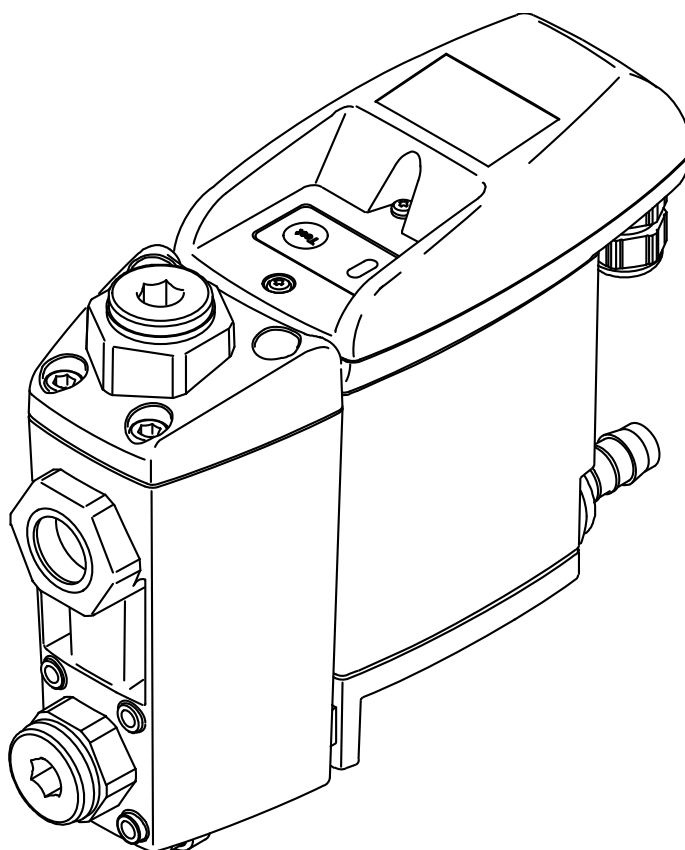


## Instructions for installation and operation

Condensate drain

**BEKOMAT® 33U / 33U CO**

(BM33U / BM33UCO)



---

Dear customer,

Thank you for deciding in favour of the BEKOMAT® 33U / 33U CO condensate drain. Please read the installation and operating instructions carefully before mounting and starting up the BEKOMAT® 33U / 33U CO , and follow our directions. Perfect functioning of the BEKOMAT® 33U / 33U CO , and thus reliable condensate discharge, can only be guaranteed when the provisions and notes stipulated here are strictly adhered to.

---

1	Pictograms and symbols .....	4
2	Safety instructions .....	4
3	Proper use .....	6
4	Exclusion from the scope of application.....	6
5	Technical data .....	7
6	Electrical data.....	8
7	Dimension drawing.....	9
8	Climate zones and performance data .....	10
9	Function.....	11
10	Installation .....	14
11	Electrical installation.....	17
12	Inspection and maintenance .....	21
13	Troubleshooting and fault elimination .....	27
14	Elements and components.....	28
15	Recommended spare parts.....	28
16	Accessories .....	29
17	Declaration of conformity .....	30

### 1 Pictograms and symbols



Observe the installation and operating instructions



Observe the installation and operating instructions (on the type plate)



General danger symbol (danger, warning, caution)



General danger symbol (danger, warning, caution) for supply voltage and supply voltage-carrying plant components

### 2 Safety instructions



**Please check whether or not these instructions correspond to the device type.**

Adhere to all advice given in these operating instructions. They include essential information which must be observed during the installation, operation and maintenance. Therefore it is imperative for the service technician and the responsible operator / technical staff to read these operating instructions prior to installation, start-up and maintenance.

The operating instructions must be accessible at any time at the place of application of the BEKOMAT® 33U / 33U CO .

In addition to these operating instructions, local or national regulations must be complied with, if necessary.

Make sure that the BEKOMAT® 33U / 33U CO is operated only within the permissible limit values indicated on the type plate. Any deviation involves a risk for persons and materials, and may result in malfunction and service failures.

If you have any queries regarding these installation- and operating instructions, please contact BEKO TECHNOLOGIES GMBH.



**Danger!**

**Compressed air!**

**Risk of serious injury or death through contact with quickly or suddenly escaping compressed air or through bursting plant components or plant components which are not secured.**

#### Measures:

- Do not exceed the maximum operating pressure (see type plate).
- **Only carry out service measures when the system is pressureless.**
- Use pressure-resistant installation material only.
- The feed pipe must be tubed firmly.  
Discharge pipe: short, fixed pressure hose onto pressure-resistant pipe.
- Make sure that persons or objects cannot be hit by condensate or escaping compressed air.



### **Danger!**

#### **Supply voltage!**

**There is the risk of an electric shock involving injury or death when coming into contact with non-insulated components carrying supply voltage.**

#### **Measures:**

- During electric installations, all regulations in force need to be adhered to (e.g. VDE 0100 / IEC 60364).
- **When the control unit is open, service and installation works must only be undertaken when the system is deactivated.**
- **The removed control unit has no IP degree of protection.**
- All types of electrical works must be carried out by authorised and qualified personnel only.

#### **Further safety instructions:**

- For installation and operation, the national regulations and safety codes in force must also be adhered to.
- Do not use the BEKOMAT® 33U / 33U CO in hazardous areas.
- Regarding the inlet screw joints, excessive tightening forces must be avoided. This applies in particular to conical screw joints.
- The BEKOMAT® 33U / 33U CO will only function when voltage is applied.
- Do not use the test button for permanent drainage.
- Use genuine spare parts only. This is imperative to ensure perfect functioning.

#### **Additional advice:**

- During installation, use the spanner flat at the feed pipe (wrench size SW28 + 34) as a back rest.
- The service unit must not be dismantled.



### **Caution!**

#### **Malfunction during operation!**

**Through incorrect installation and poor maintenance, malfunction may occur at the BEKOMAT® .**

**Condensate which is not discharged may cause damage to plants and in production processes.**

#### **Measures:**

- Condensate drainage which is reliable in performance directly optimises the compressed-air quality.
- To prevent damage and breakdowns, it is imperative to observe the following:
  - Exact compliance with the specifications of use and with the performance parameters of the BEKOMAT®, in connection with the case of application (see "Proper use" section)
  - Exact compliance with the installation- and operation instructions in this manual
  - Regular maintenance and control of the BEKOMAT® in accordance with the instructions in this operating manual




### 3 Proper use

- The BEKOMAT® 33U / 33U CO is an electronically level-controlled condensate drain for compressed-air plants.
- The device is employed within the permissible performance parameters (see "Technical data").
- The BEKOMAT® 33U / 33U CO is able to drain condensate under operating pressure from the plant components virtually without compressed-air loss.
- For its function, the BEKOMAT® 33U / 33U CO requires a supply voltage and an operating pressure (see "Technical data").
- As far as the employment in plants with increased demands on compressed air is concerned (food industry, medical technology, laboratory equipment, special processes etc.), the operator must decide on measures for the monitoring of the compressed-air quality. These have an effect on the safety of the subsequent processes and may prevent damage to persons and plants.
- It is the task of the operator to ensure that the indicated conditions are met during the entire operating time.
- For the employment in CO<sub>2</sub> plants, a BEKOMAT® with a CO specification must be used.

### 4 Exclusion from the scope of application

- The BEKOMAT® 33U / 33U CO as a condensate drain **alone cannot** guarantee a defined compressed-air quality, for this purpose, other additional technical devices are required.
- BEKOMAT® 33U / 33U CO is **not** suitable for use in plants carrying vacuum or atmospheric ambient pressure or in ex-areas.
- The BEKOMAT® 33U / 33U CO must not be exposed to permanent direct solar or thermal radiation.
- The BEKOMAT® 33U / 33U CO must not be installed and operated in areas with an aggressive atmosphere.
- The BEKOMAT® 33U / 33U CO is not heatable and, therefore, not suitable for the use in areas where frost is likely to occur.

5 Technical data

  	
min./max. operating pressure (see type plate)	0,8...16 bar (12...230 psi) or 1,2...16 bar (17...230 psi)
min./max. temperature (see type plate)	+1...+60 °C (+34...+140 °F) or +1...+70 °C (+34...+158 °F)
Condensate inflow	3 x G ½ (NPT ½) internal
Condensate outflow	G ½ Ø 13 mm hose connector
Condensate	oil-contaminated + oil-free
Housing	aluminium + plastic, glass fibre-reinforced
Weight (empty)	1.65 kg (3.63 lbs)

This product has been tested to the requirements of CAN/CSA-C22.2 No. 61010-1-12, third edition, including a later version of the same standard incorporating the same level of testing requirements.

Max. performance for the "blue" climate zone – see also Chapter "Climate zones and performance data"

max. compressor performance	10 m <sup>3</sup> /min (350 scfm)
max. refrig.-dryer performance	20 m <sup>3</sup> /min (700 scfm)
max. filter performance	100 m <sup>3</sup> /min (3500 scfm)

## Electrical data

### 6 Electrical data

Supply voltage (see type plate)	95...240 VAC ±10% (50...60 Hz) / 100...125 VDC ±10% or 24...48 VAC ±10% (50...60 Hz) / 18...72 VDC ±10%
Power consumption	P = 0.6 ... 3 VA (W)
Recommended cable-jacket diameter	Ø 5.0...10 mm (0.20"...0.39")
Recommended wire cross-section Spring-loaded terminal (voltage supply/relay)	0.75...1.5 mm <sup>2</sup> (AWG 16...20)
Recommended wire cross-section Screw terminal (voltage supply)	0.75...2.5 mm <sup>2</sup> (AWG 14...20)
Recommended wire cross-section Spring-loaded terminal (external test)	0.75...1.5 mm <sup>2</sup> (AWG 16...20)
Recommended wire cross-section Screw terminal (relay/external test)	0.75...1.5 mm <sup>2</sup> (AWG 16...20)
Recommended stripping of cable jacket (voltage supply/relay)	~ 30 mm (~ 1.18")
Recommended stripping of cable jacket (external test)	~ 90 mm (~ 3.54")
Recommended length of the wire end tube Spring-loaded terminal	~ 8 mm (~ 0.31 inch)
Recommended length of the wire end tube Screw terminal	~ 6 mm (~ 0.24 inch)
Connection data of the potential-free contact Switch to load *)	AC: max. 250V / 1A DC: max. 30V / 1A
Connection data of the potential-free contact Switch to low signal *)	min. 5 VDC / 10 mA
Connection data of the external test contact	on the unit side 5 VDC; switching current ≥ 0,5 mA
Protection class	IP 67
Overvoltage category (IEC 61010-1)	II

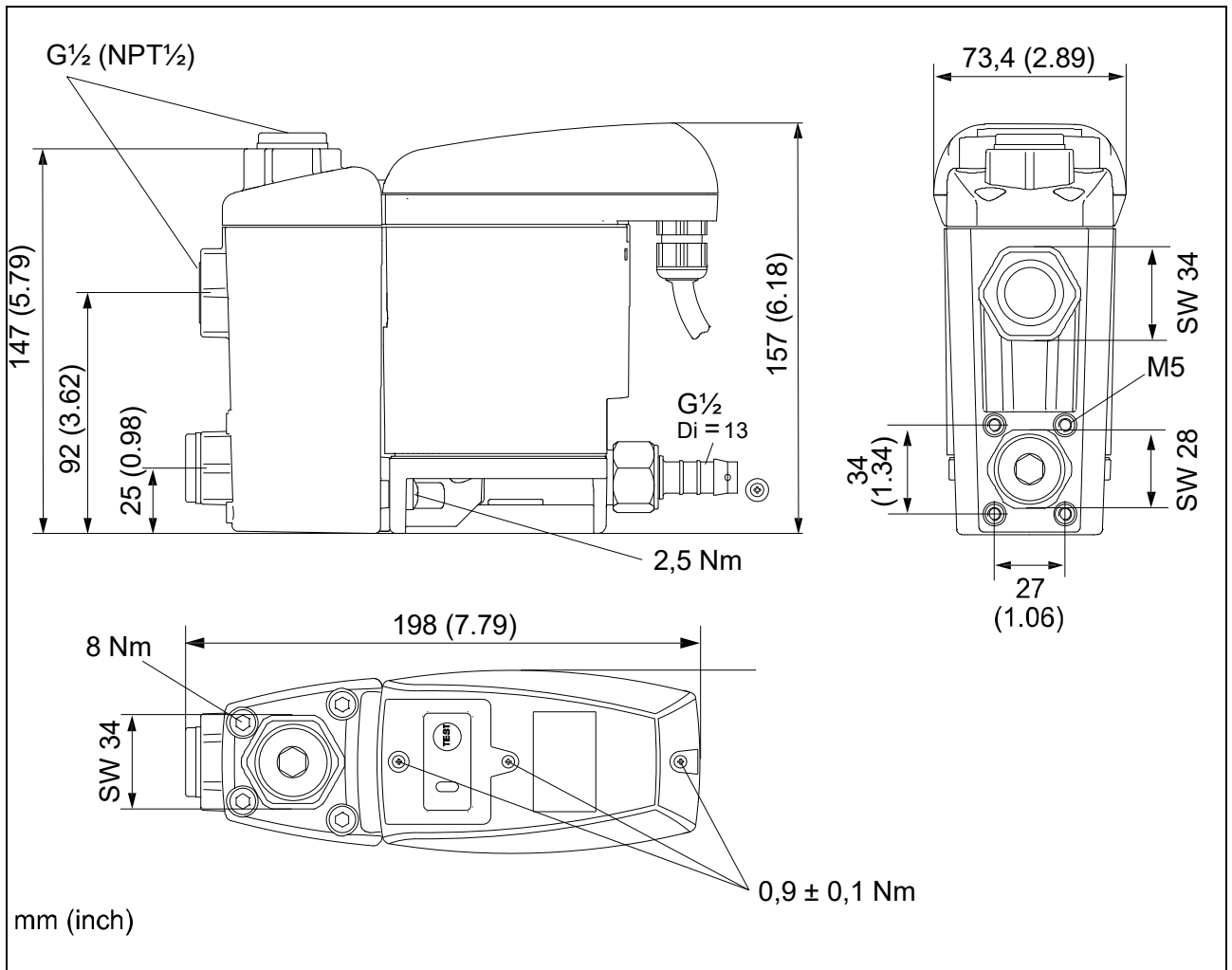
VAC = V alternating current

VDC = V direct current

\*) The switching of loads means that the properties of the contact are no longer suitable for the switching of low signals.

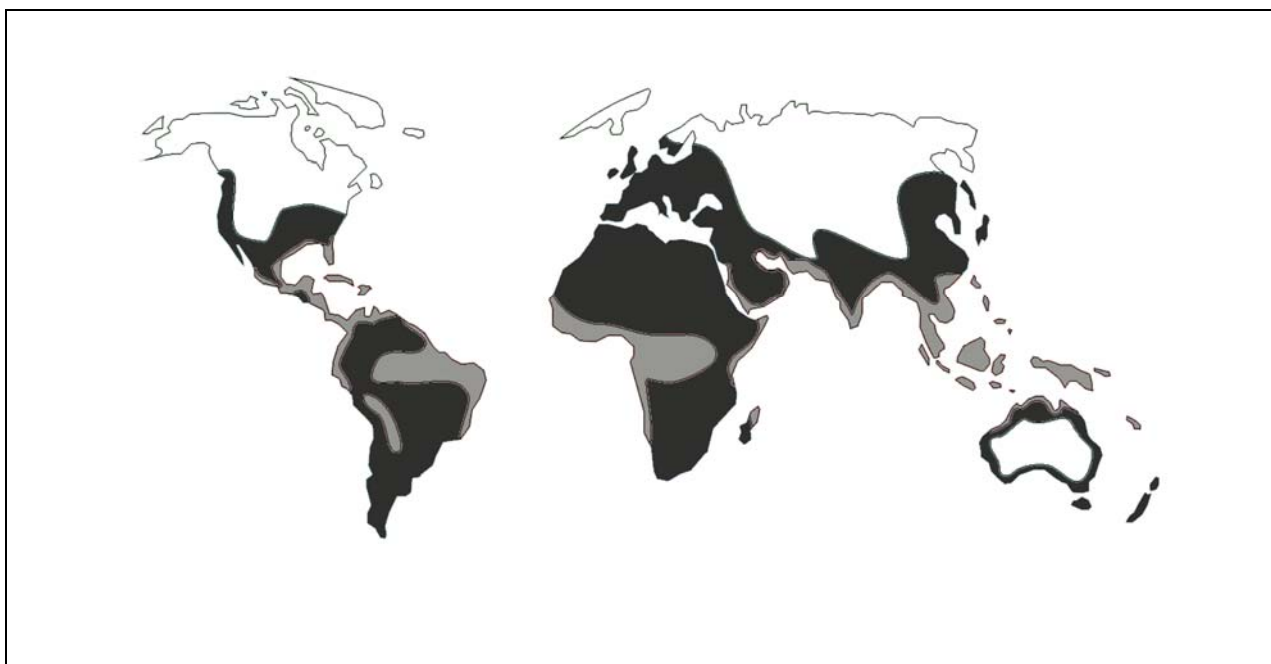


7 Dimension drawing



SW = wrench size

8 Climate zones and performance data



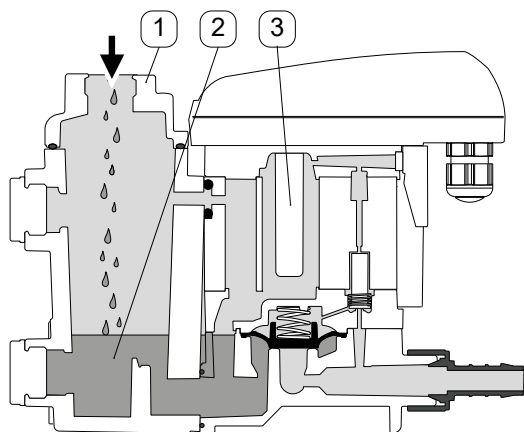
Climate zone	Max. compressor performance m <sup>3</sup> /min.	Max. dryer performance m <sup>3</sup> /min.	Max. filter performance m <sup>3</sup> /min.
green	12	24	120
blue	10	20	100
red	7	14	70

The indicated performance data are based on a moderate climate and apply to Europe, large parts of Southeast Asia, North and South Africa, parts of North and South America (climate zone: blue).

For dry and / or cool climate (climate zone: green), the following factor applies:  
performance in the "blue" climate zone approx. x 1.2

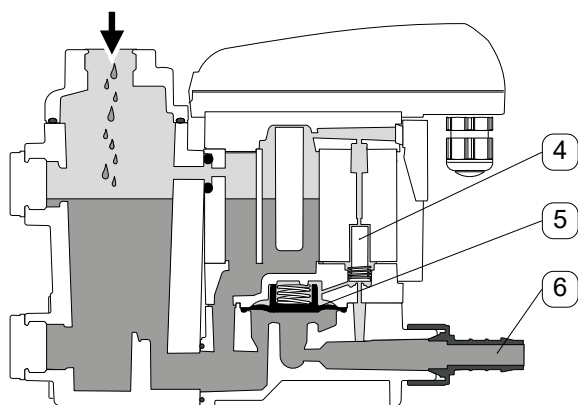
For warm and / or humid climate (tropics; climate zone: red), the following factor applies:  
performance in the "blue" climate zone approx. x 0.7

## 9 Function



Via the inlet line (1) the condensate flows into the BEKOMAT® 33U / 33U CO and accumulates in the housing (2).

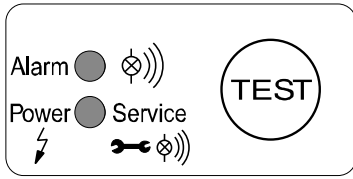
A capacitively functioning sensor (3) continuously registers the filling level and relays a signal to the electronic control as soon as the container is filled.



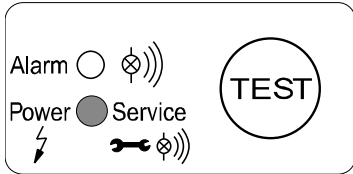
The pilot valve (4) is activated and the membrane (5) opens the outlet line to discharge the condensate (6).

When the BEKOMAT® 33U / 33U CO is empty, the outlet line is reclosed tightly in time before unnecessary compressed-air losses occur.

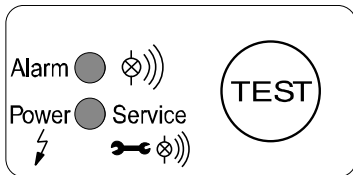
At the BEKOMAT® 33U / 33U CO, two LEDs indicate the individual operating states.



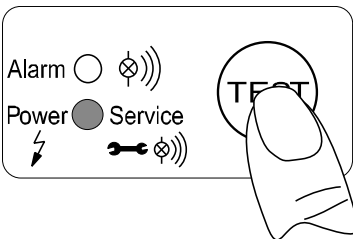
When applying supply voltage, the BEKOMAT® 33U / 33U CO carries out a **self-test**. Both LEDs are lit for approximately 1 second, subsequently, the device changes over to the "ready-to-operate" state.



**Ready to operate, voltage is applied.**

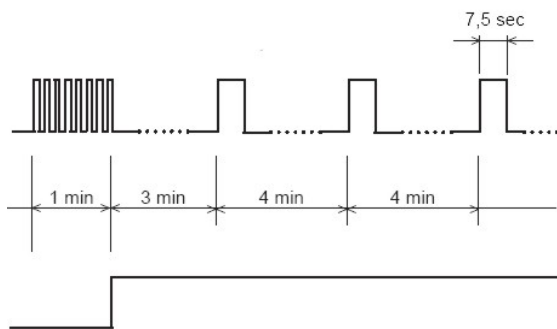


In the event that the condensate discharge is disturbed, an alarm mode will start which is indicated by the flashing of the red alarm LED.  
**Malfunction/alarm**



Test of the valve function (manual drainage): press and hold the button for approximately 2 s.  
Test of the alarm function (see below): press and hold the button for at least 1 min.  
**Do not use for permanent drainage.**

Switching sequence of the valve in the alarm mode



Trouble indication via a potential-free contact

**Alarm mode:**

In the event that the condensate discharge is disturbed, the valve opens after a time cycle (approx. every three seconds) to eliminate the malfunction automatically. If the malfunction is not eliminated after one minute, a trouble indication is released:

- The alarm LED flashes
- The alarm relay switches over (the signal can be picked off potential-freely).
- The valve opens every four minutes for 7.5 seconds.
- When the malfunction has been eliminated, the BEKOMAT® will switch back automatically into the normal mode.

**Possible trouble sources include:**

- Mistakes during installation
- Dropping below the minimum pressure
- Excessive accumulation of condensate (excess load)
- Blocked / obstructed outlet line
- Extreme amount of dirt particles
- Frozen pipework

The BEKOMAT® 33U / 33U CO releases a maintenance message for a service that is to be carried out.

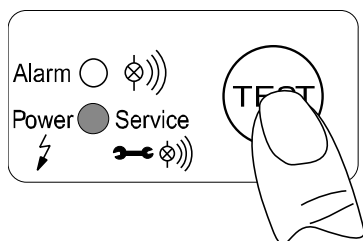
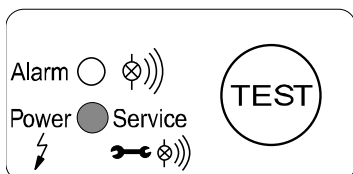
Depending on the operating mode, a visual maintenance message (service) is activated which signals the replacement of the service unit.

The maintenance message is indicated by the flashing supply voltage-LED "Power".

The maintenance message is released after 2 x 8.760 h or one million switching cycles. The maintenance signal is released when one of these two values is reached.

In the event of a power outage or when the energy supply is deactivated, the status of the timer will be maintained.

The activities to be carried out regarding maintenance are described in the chapter entitled "Check and maintenance".



Prior to the replacement of the service unit, a reset needs to be carried out. The control unit is released by actuating the arresting hook. When removed, the TEST button must be pressed and held for at least five seconds.

### 10 Installation



#### **Danger!**

#### **Compressed air!**

**Risk of serious injury or death through contact with quickly or suddenly escaping compressed air or through bursting plant components or plant components which are not secured.**

#### **Measures:**

- Do not exceed the maximum operating pressure (see type plate).
- **Only carry out service measures when the system is pressureless.**
- Use pressure-resistant installation material only.
- The feed pipe must be tubed firmly.  
Discharge pipe: short, fixed pressure hose onto pressure-resistant pipe.
- Make sure that persons or objects cannot be hit by condensate or escaping compressed air.



#### **Caution!**

#### **Malfunction during operation!**

**Through incorrect installation and poor maintenance, malfunction may occur at the BEKOMAT®.**

**Condensate which is not discharged may cause damage to plants and in production processes.**

#### **Measures:**

- Condensate drainage which is reliable in performance directly optimises the compressed-air quality.
- To prevent damage and breakdowns, it is imperative to observe the following:
  - Exact compliance with the specifications of use and with the performance parameters of the BEKOMAT®, in connection with the case of application (see "Proper use" section)
  - Exact compliance with the installation- and operation instructions in this manual
  - Regular maintenance and control of the BEKOMAT® in accordance with the instructions in this operating manual



**Note:**

It is imperative to observe all hazard statements and warnings listed here.

Please also observe all regulations and notes regarding industrial safety and fire prevention at the place of installation.

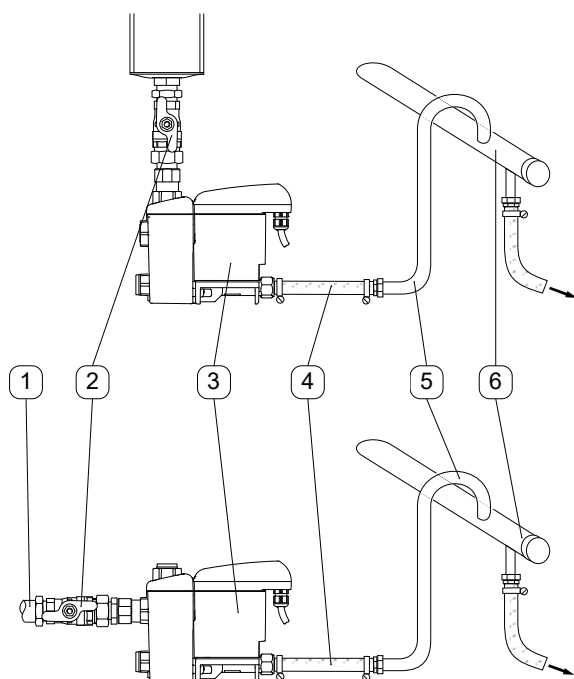
As a matter of principle, only use suitable and appropriate tools and materials in a proper condition.

Do not use aggressive cleaners and improper devices such as high-pressure cleaners.

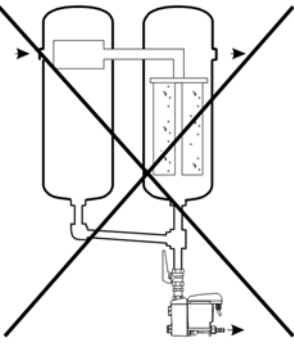
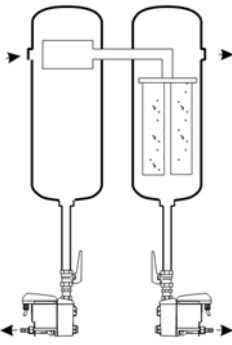

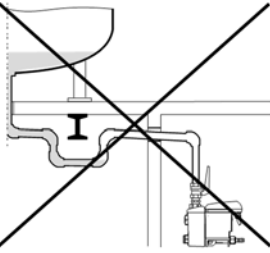
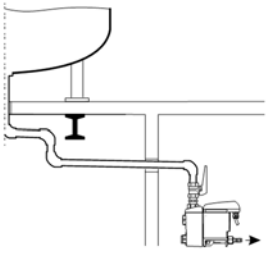

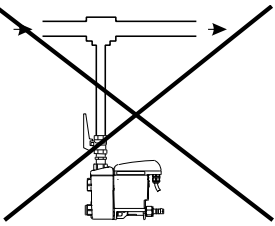
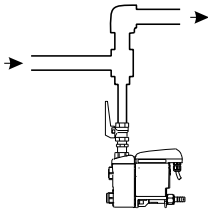

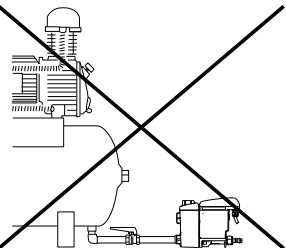
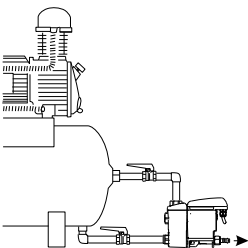

Please note that condensates may contain aggressive or harmful components. Therefore, skin contact should be avoided.

Condensate is subject to mandatory waste disposal. As such, it must be collected in suitable containers, and disposed of or processed properly.

**Installation instructions:**



- Only the displayed installation position of the BEKOMAT® (3) is permissible. Never install in a horizontal or any other tilted position.
- Feed pipe (1) and ball valve (2) at least G $\frac{1}{2}$ .
- No filter or screen in the inlet line.
- Slope in the inlet line >1%.
- Use ball valves (2) only.
- Operating pressure: min. 0,8/1,2 bar (12/17 psig), max. 16 bar (230 psig). See type plate.
- Short pressure hose (4) fixed on a pressure-resistant pipe.
- The required minimum pressure increases by 0,1 bar (1,4 psi) per metre gradient in the discharge pipe (5).
- Discharge pipe (5) rising by max. 5 m (16,4ft).
- Install manifold (6)  $\frac{3}{4}$ " with a slope of 1%.
- Introduce the discharge pipe (5) from the top into the manifold (6).
- Prior to the start-up, always carry out a leak test and verify the correct engagement of the control unit.

wrong	correct	
 	 <p><b>Pressure differences!</b></p> <p>Each condensate accumulation point must be drained separately.</p>	
 	 <p><b>Continuous slope!</b></p> <p>Avoid a water pocket when installing the feed pipe</p>	
 	 <p><b>Deflector area!</b></p> <p>If drainage is to be carried out directly from the pipe, deflection of the air flow will be useful.</p>	
 	 <p><b>Ventilation!</b></p> <p>If the slope in the inlet line is not sufficient or if any other inflow problems occur, a venting line needs to be installed.</p>	



## 11 Electrical installation



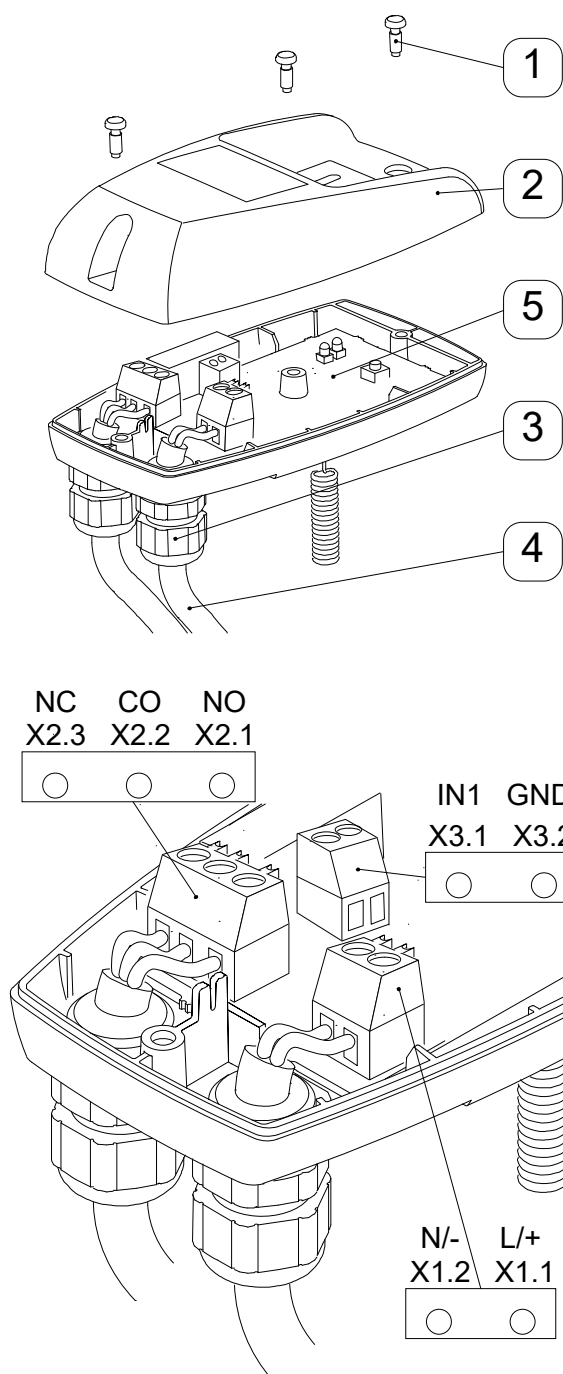
**Danger!**

**Supply voltage!**

There is the risk of an electric shock involving injury or death when coming into contact with non-insulated components carrying supply voltage.

### Measures:

- During electric installations, all regulations in force need to be adhered to (e.g. VDE 0100 / IEC 60364).
- **When the control unit is open, service and installation works must only be undertaken when the system is deactivated.**
- **The removed control unit has no IP degree of protection.**
- All types of electrical works must be carried out by authorised and qualified personnel only.



**Note:**

### Power supply connection:

1. Read the permissible supply voltage on the type plate and make sure this voltage is observed.
2. For the supply voltage, a reliably accessible separator must be provided close-by (e.g. power plug or switch), which separates all current-carrying conductors.
3. At a low-voltage supply (< 50 VAC / < 75 VDC), only use a protective extra-low-voltage.
4. Carry out installation in accordance with VDE 0100 / IEC 60364.
5. Observe the terminal assignment.
6. Do not install when the device is energised.
7. Unscrew the screws (1) and remove the upper part of the cover (2).
8. Unscrew the threaded cable connection (3), remove the plug (if there is one), and lead the cable (4) for the power supply through.
9. Connect the cable (4) with terminals X1 (1.1, 1.2) (5).
10. Install the cables as shown (see also terminal assignment in the following text).
11. Tighten the threaded cable connection (3) with a slightly sealing effect.
12. Put on the upper part of the cover (2) and tighten the screws (1) fingertight.

### **Connection of the potential-free contact and of the external test:**

1. Selection of the suitable cable.
2. Connection to X2 and X3, as shown in the adjacent illustration.
3. The installation steps are the same as for the power supply connection.
4. If the potential-free contact carries voltage that is dangerous in the case of contact, a corresponding separator must also be provided, as described above.
5. When using the potential-free contacts and the connection external test, sufficient clearance to the other parts of the unit, or suitable insulation in accordance with EN 60664-1 must be ensured.
6. When using a multiwire, common line for the connection of the potential-free contact and the external test, this line must be suitable for the highest occurring voltage and the intended temperature range with regard to its nominal ratings.

**Terminal assignment supply voltage (operating voltage)**

X 1		X 2			X 3	
L/+	N/-	NO	CO	NC	IN1	GND
phase	neutral	normally open	common	normally closed	external test (IN1)	GND
1.1	1.2	2.1	2.2	2.3	3.1	3.2

Power supply

- X 1.1 L/+
- X 1.2 N/-

L = Outer conductor

N = Neutral conductor

**Terminal assignment low voltage (operating voltage)**

X 1		X 2			X 3	
L/+	N/-	NO	CO	NC	IN1	GND
power	power	normally open	common	normally closed	external test (IN1)	GND
1.1	1.2	2.1	2.2	2.3	3.1	3.2

Power supply

- X 1.1 L/+
- X 1.2 N/-

**Terminal assignment of the potential-free contact and of the external test**

X 1		X 2			X 3	
L/+	N/-	NO	CO	NC	IN1	GND
power	power	normally open	common	normally closed	external test (IN1)	GND
1.1	1.2	2.1	2.2	2.3	3.1	3.2

Fault indication/potential-free contact:

- X 2.1 n.o.
- X 2.2 com.
- X 2.3 n.c.

n.c. - com. closed in the event of malfunction or power failure

n.o. - com. closed during normal operation (closed current principle)

The contacts X2.1 - 2.3 are potential-free.

External test / remote control:

- X 3.1 external test (IN1)
- X 3.2 GND

Contacts connected = test active = discharge

Contacts open = test inactive

The contacts X 3.1 -3.2 are not potential-free.

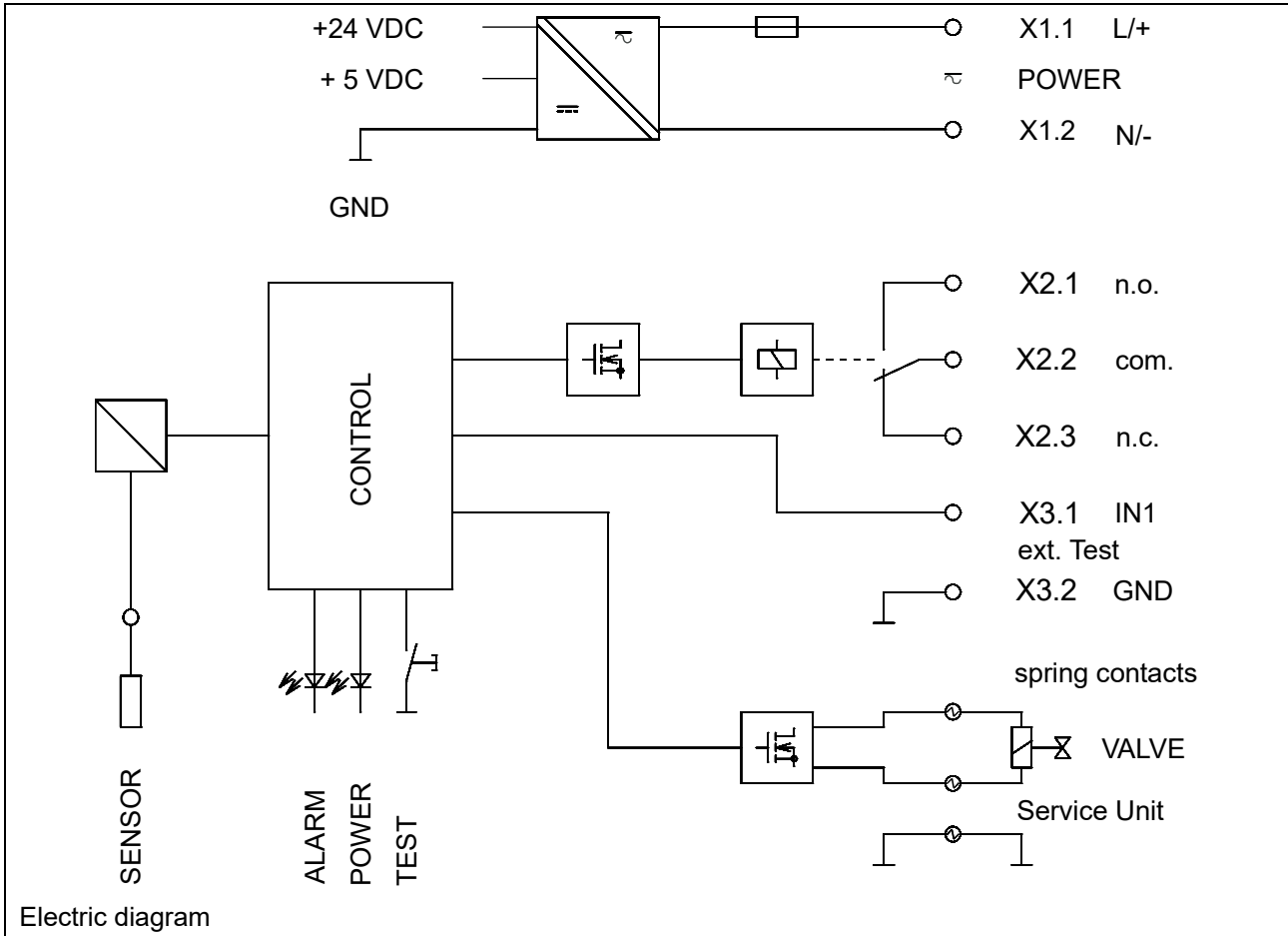


# Electrical installation



**Note:**

At a low-voltage supply (< 50 VAC / < 75 VDC), only use a protective extra-low-voltage.  
Tighten the threaded cable connection with a slightly sealing effect.



## 12 Inspection and maintenance



**Danger!**

**Compressed air!**

**Risk of serious injury or death through contact with quickly or suddenly escaping compressed air or through bursting plant components or plant components which are not secured.**

**Measures:**

- Do not exceed the maximum operating pressure (see type plate).
- **Only carry out service measures when the system is pressureless.**
- Use pressure-resistant installation material only.
- The feed pipe must be tubed firmly.  
Discharge pipe: short, fixed pressure hose onto pressure-resistant pipe.
- Make sure that persons or objects cannot be hit by condensate or escaping compressed air.



**Danger!**

**Supply voltage!**

**There is the risk of an electric shock involving injury or death when coming into contact with non-insulated components carrying supply voltage.**

**Measures:**

- During electric installations, all regulations in force need to be adhered to (e.g. VDE 0100 / IEC 60364).
- **When the control unit is open, service and installation works must only be undertaken when the system is deactivated.**
- **The removed control unit has no IP degree of protection.**
- All types of electrical works must be carried out by authorised and qualified personnel only.



**Caution!**

**Malfunction during operation!**

**Through incorrect installation and poor maintenance, malfunction may occur at the BEKOMAT®.**

**Condensate which is not discharged may cause damage to plants and in production processes.**

**Measures:**

- Condensate drainage which is reliable in performance directly optimises the compressed-air quality.
- To prevent damage and breakdowns, it is imperative to observe the following:
  - Exact compliance with the specifications of use and with the performance parameters of the BEKOMAT®, in connection with the case of application (see "Proper use" section)
  - Exact compliance with the installation- and operation instructions in this manual
  - Regular maintenance and control of the BEKOMAT® in accordance with the instructions in this operating manual



### Note:

It is imperative to observe all hazard statements and warnings listed here.

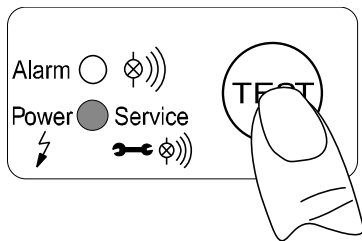
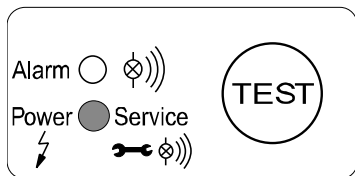
Please also observe all regulations and notes regarding industrial safety and fire prevention at the place of installation.

As a matter of principle, only use suitable and appropriate tools and materials in a proper condition.

Do not use aggressive cleaners and improper devices such as high-pressure cleaners.

Please note that condensates may contain aggressive or harmful components. Therefore, skin contact should be avoided.

Condensate is subject to mandatory waste disposal. As such, it must be collected in suitable containers, and disposed of or processed properly.



### Maintenance recommendation:

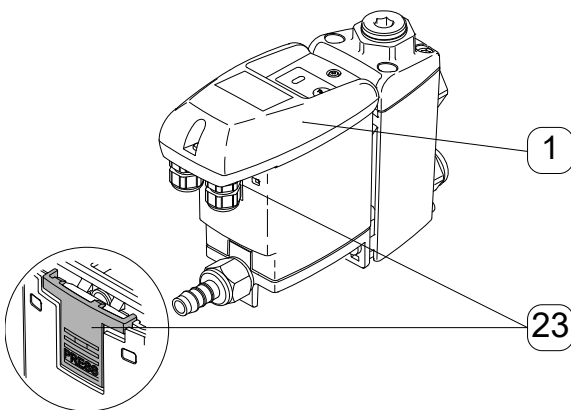
After 2 x 8,760 operating hours or one million switching cycles, a maintenance message is released.

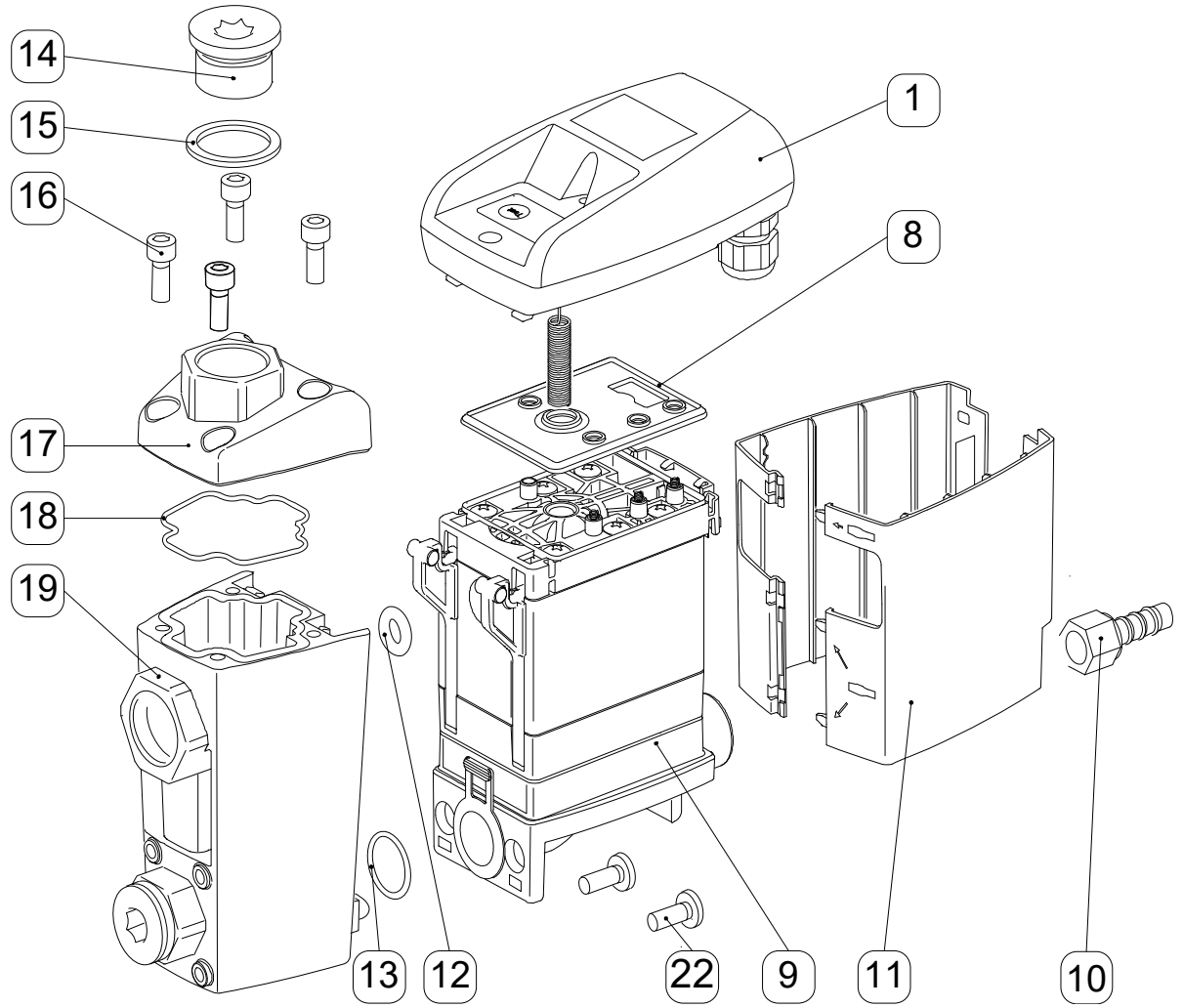
The green power LED flashes. Afterwards, or at the latest after two years (2 x 8,760 operating hours), the service unit (5) needs to be replaced.

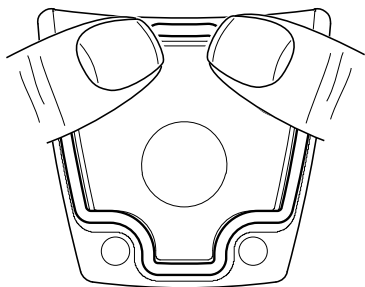
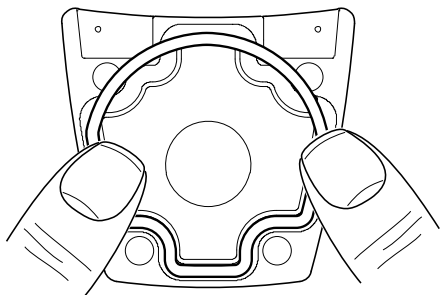
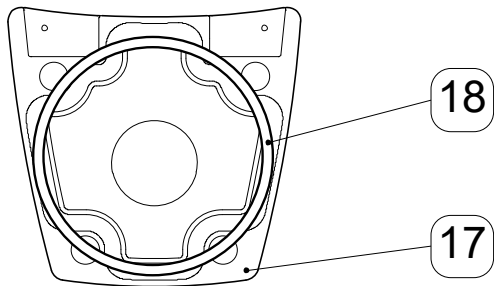
1. Prior to the replacement of the service unit, a reset needs to be carried out. The control unit is released by actuating the arresting hook. When removed, the TEST button below the LED must be pressed and held for at least five seconds.

It is recommended to **clean the condensate receiver tank** after two years at the latest, **when maintenance works are carried out**:

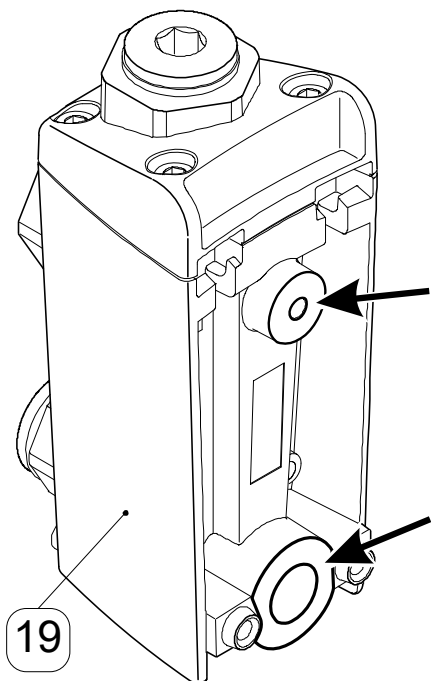
2. Remove the control unit (1) by pressing the arresting hook (23).
3. BEKOMAT® 33U / 33U CO Unfasten from the outlet.
4. BEKOMAT® 33U / 33U CO Detach from the tubing at the inlet.
5. Unscrew both M6 cross recessed head screws (22) and remove the service unit (9) by slightly pulling and lifting it.
6. Remove the design shell (11) using a screwdriver.
7. Unscrew the four cover screws (16) and remove the cover (17).
8. Clean the condensate receiver tank (19).





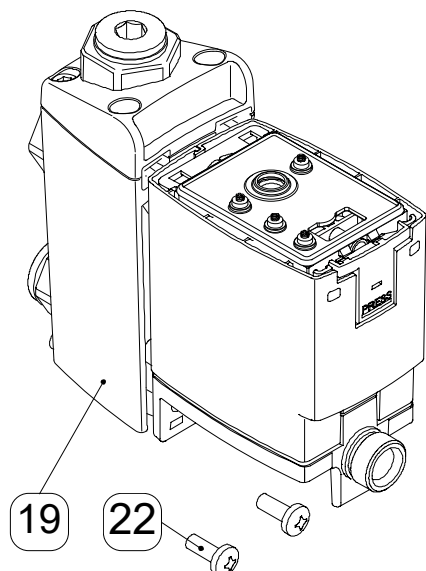
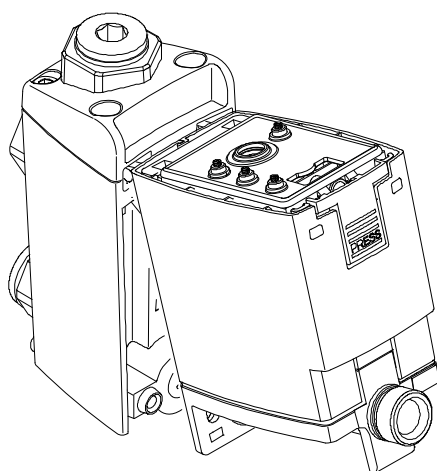
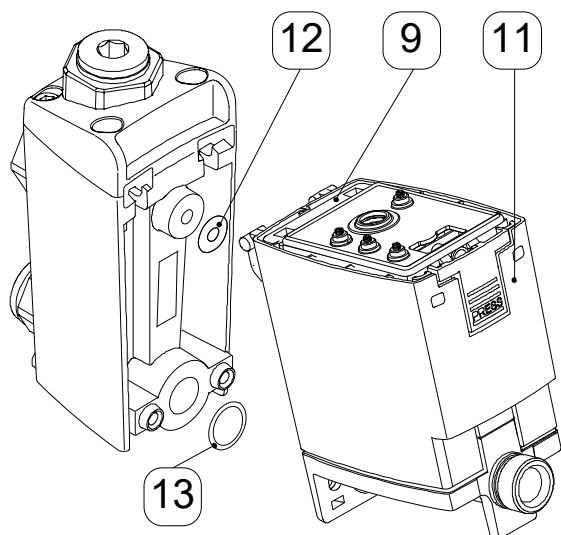


9. Insert new cover O-ring (18) (gasket kit) according to the diagram.
10. Clean the sealing surfaces of the cover.
11. Put on the cover (17) with the new O-ring and carefully tighten the four cover screws (16) crosswise (8 Nm).

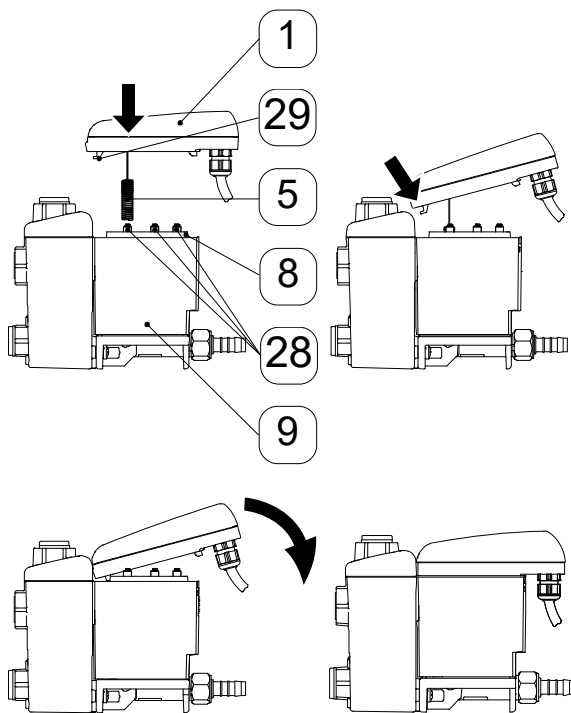


12. Clean the sealing surfaces (←) at the condensate receiver tank (19).





13. Check whether or not the service unit (9) goes with the control unit (1) (model designation and colour of the arresting hook).
14. Check the O-rings at the new service unit (12, 13).
15. Mount the design shell (11).
16. Mount the service unit along with the design shell at the condensate receiver tank (19) and tighten both erection bolts (22) (2,5 Nm).
17. Re-install the BEKOMAT® at the inlet tubing and outlet, in reverse order to disassembly.



### Installation of the control unit on the BEKOMAT®:

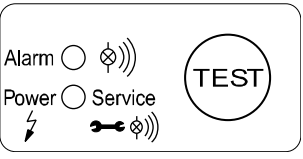
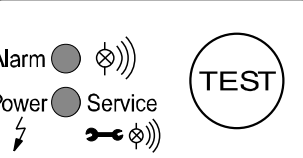
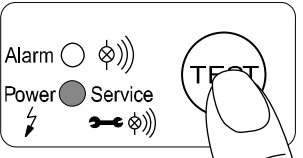
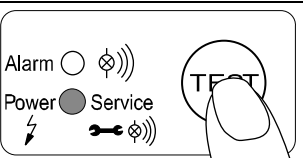
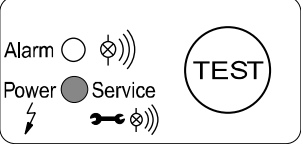
1. Check whether or not the service unit (9) goes with the control unit (1) (model designation and colour of the arresting hook).
2. Check whether or not the sealing mat (8) and the contact springs (28) are clean, dry, and free from impurities.
3. Introduce the sensor (5) into the service unit (9).
4. Hang the hook (29) of the control unit (1) in the service unit (9).
5. Press the control unit (1) against the service unit (9) and snap into place.

### Start-up subsequent to maintenance measures:

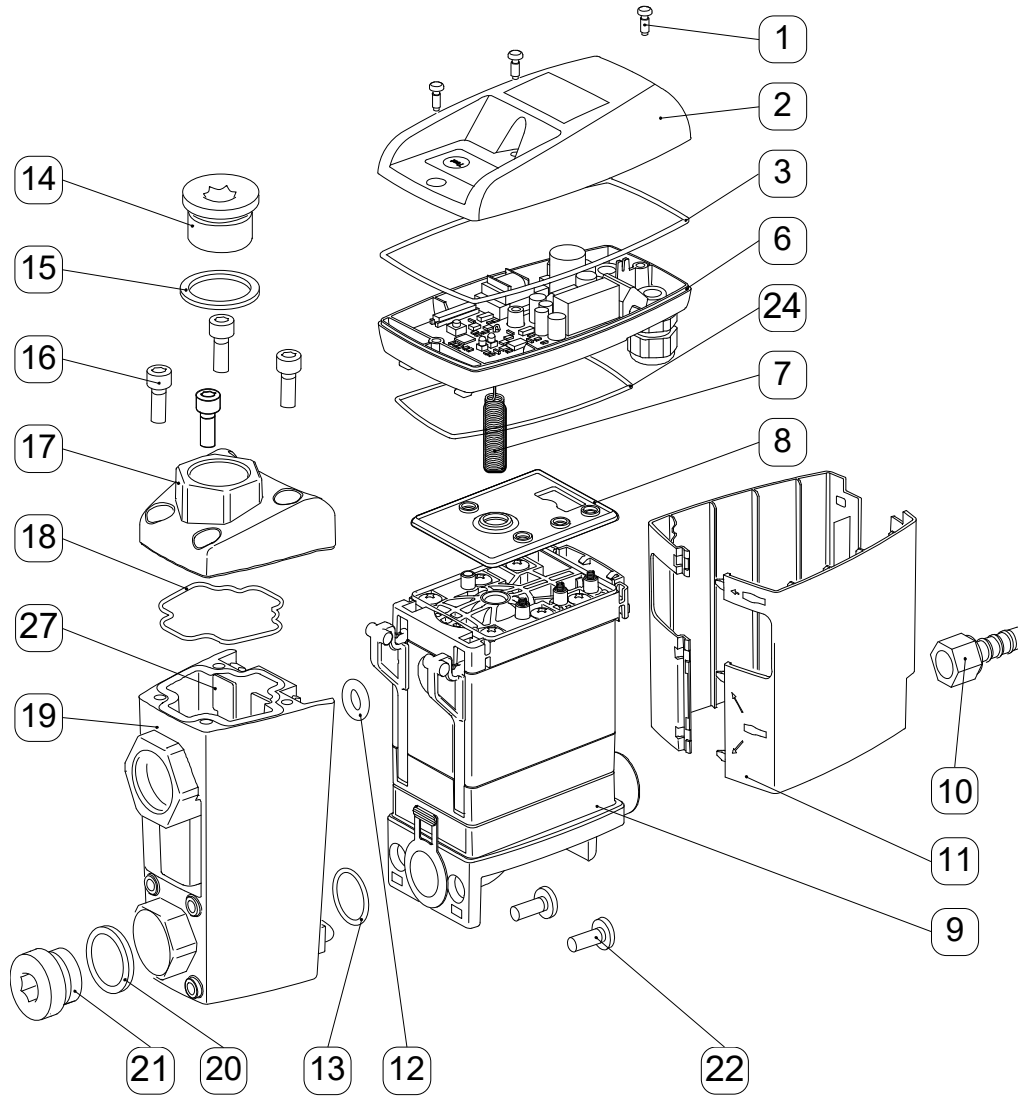
Always carry out prior to the start-up:

- Leak test of the screwed connector of the condensate receiver tank and of the connection of this tank to the service unit
- Check of the electrical connections
- Check of the correct engagement of the control unit

13 Troubleshooting and fault elimination

Symptoms	Possible reasons	Measures
 <p><b>No LED lights up</b></p>	<p>Supply voltage incorrect Circuit board defective</p>	<p>Check voltage on the ID plate Check the connections and the supply voltage Check the circuit boards for possible damage</p>
 <p><b>All LEDs are continuously on</b></p>	<p>Failure during the start of the programme Circuit board defective</p>	<p>Separate the device from the supply voltage and reactivate after &gt; 5 s Check the circuit boards for possible damage</p>
 <p><b>Test button pressed, but no condensate discharge</b></p>	<p>Feed pipe and/or discharge pipe blocked or obstructed Wear and tear Circuit board defective Service unit defective Minimum pressure not reached Maximum pressure exceeded</p>	<p>Check feed and discharge pipe Check whether or not the valve opens audibly (press the test button several times for &gt;2 seconds) Check the circuit board for possible damage Check the operating pressure</p>
 <p><b>Condensate discharge only when the test button is pressed</b></p>	<p>Feed pipe without sufficient slope Cross section not large enough Condensate accumulation too high (surge) Service unit extremely dirty</p>	<p>Install feed pipe with a slope Replace the service unit</p>
 <p><b>Device blows off continuously</b></p>	<p>Service unit defective or dirty</p>	<p>Replace the service unit</p>

14 Elements and components



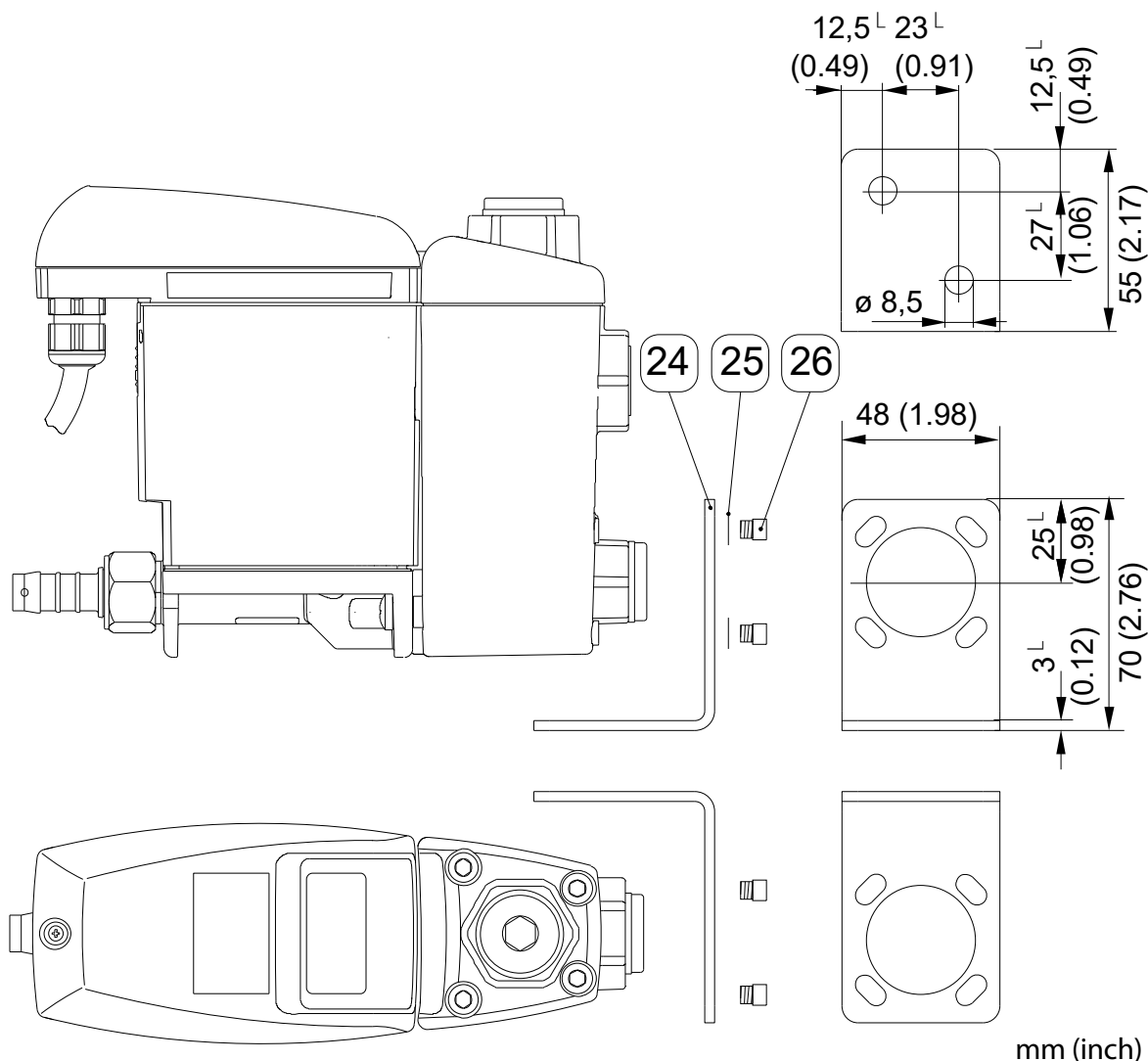
- 1 Screw 3.5 x 10
- 2 Upper part of the cover
- 3 Moulded gasket
- 4 Circuit board
- 5 Sensor
- 6 Lower part of the cover
- 7 Cable bushing
- 8 Sealing mat
- 9 Service unit
- 10 Hose connector
- 11 Design shell
- 12 O-ring 8 x 4
- 13 O-ring 18.5 x 2
- 14 Locking screw
- 15 Flat gasket
- 16 Hexagon socket head screw M6 x 16
- 17 Lid
- 18 O-ring 48.9 x 2.62
- 19 Condensate receiver tank
- 20 Flat gasket
- 21 Locking screw
- 22 Cross recessed head screw M6 x 16

15 Recommended spare parts

Available sets of spare parts	Contents	Order number
Service unit	8, 9, 12, 13	4023633
Service unit CO	8, 9, 12, 13	4023635
Gasket kit	3, 8, 12, 13, 18	4024397
Design shell	11	4010167

16 Accessories

Available accessory sets	Contents	Order number
Mounting brackets for wall and base	24 (Mounting bracket) 25 (Washer) 26 (Hexagon socket head screw)	4012883



mm (inch)

Available accessory sets	Contents	Order number
Connection set With manual drainage, valve for inlet with screw joint	Ball valve G $\frac{1}{2}$ PN25 Ball valve G $\frac{1}{4}$ PN10 Reducing adapter G $\frac{1}{2}$ - G $\frac{1}{4}$ Ms Double nipple G $\frac{1}{4}$ Ms	2000040
Connection set With manual drainage, valves for venting line and inlet with screw joint	Ball valve G $\frac{1}{2}$ PN25 Ball valve G $\frac{1}{4}$ PN10 Reducing adapter G $\frac{1}{2}$ - G $\frac{1}{4}$ Ms Double nipple G $\frac{1}{4}$ Ms T-piece G $\frac{1}{2}$ Ms nickel-plated Lock nut Rp $\frac{1}{2}$ Ms	2000041
Outlet set With hose and installation material	Tubing piece 13.3x3.3x800 Grommet 13-G $\frac{1}{2}$ Ms SW24 Hose clamp 16-27/12	2000046

### 17 Declaration of conformity

BEKO TECHNOLOGIES GMBH  
Im Taubental 7  
41468 Neuss

GERMANY

Tel: +49 2131 988-0  
www.beko-technologies.com



## EU-Konformitätserklärung

Wir erklären hiermit, dass die nachfolgend bezeichneten Produkte den Anforderungen der einschlägigen Richtlinien und technischen Normen entsprechen. Diese Erklärung bezieht sich nur auf die Produkte in dem Zustand, in dem sie von uns in Verkehr gebracht wurden. Nicht vom Hersteller angebrachte Teile und/oder nachträglich vorgenommene Eingriffe bleiben unberücksichtigt.

Produktbezeichnung:	Kondensatableiter
Modelle:	BEKOMAT® 31U, 32U, 32UV, 33U, 33UV
Spannungsvarianten:	95...240 VAC ±10% (50...60 Hz) / 100...125 VDC ±10% oder 24...48 VAC ±10% (50...60 Hz) / 18...72 VDC ±10%
Max. Betriebsdruck:	16 bar (g)
Produktbeschreibung und Funktion:	Kondensatableiter zur elektronisch niveaugeregelten Ableitung von Kondensat im Druckluftnetz.

#### Niederspannungs-Richtlinie 2014/35/EU

Angewandte harmonisierte Normen: EN 61010-1:2010  
Die Geräte mit einer Betriebsspannung von 24...48 VAC und 18...72 VDC fallen nicht in den Anwendungsbereich der Niederspannungs-Richtlinie.

#### EMV-Richtlinie 2014/30/EU

Angewandte harmonisierte Normen: EN 55011: 2009 + A1: 2010, Gruppe 1, Klasse B  
EN 61326-1:2013

#### ROHS II-Richtlinie 2011/65/EU

Die Vorschriften der Richtlinie 2011/65/EU zur Beschränkung der Verwendung bestimmter gefährlicher Stoffe in Elektro- und Elektronikgeräten werden erfüllt.

Der Hersteller trägt die alleinige Verantwortung für die Ausstellung dieser Konformitätserklärung.

Unterzeichnet für und im Namen von:

Neuss, 13.10.2017

BEKO TECHNOLOGIES GMBH

  
i.V. Christian Riedel

Leiter Qualitätsmanagement International

**BEKO TECHNOLOGIES GMBH**  
Im Taubental 7  
41468 Neuss

GERMANY

Phone: +49 2131 988-0  
www.beko-technologies.com



## EU Declaration of Conformity

We hereby declare that the products named below comply with the stipulations of the relevant directives and technical standards. This declaration only refers to products in the condition in which they have been placed into circulation. Parts which have not been installed by the manufacturer and/or modifications which have been implemented subsequently remain unconsidered.

Product designation:	Condensate drain
Type:	BEKOMAT® 31U, 32U, 32UV, 33U, 33UV
Supply voltage versions:	95...240 VAC ±10% (50...60 Hz) / 100...125 VDC ±10% or 24...48 VAC ±10% (50...60 Hz) / 18...72 VDC ±10%
Maximum operating pressure:	16 bar (g)
Product description and function:	Condensate drain for the electronically level-controlled discharge of condensate in the compressed-air system.

### Low Voltage Directive 2014/35/EU

Applied harmonised standards: EN 61010-1:2010

The devices with working voltage of 24...48 VAC and 18...72 VDC are not in the scope of the Low-Voltage Directive.

### EMC Directive 2014/30/EU

Applied harmonized standards: EN 55011: 2009 + A1: 2010, group 1, class B  
EN 61326-1:2013

### RoHS II Directive 2011/65/EU

The products meet the requirements laid down in European Directive 2011/65/EU concerning the restriction of the use of certain hazardous substances in electrical and electronic devices.

The manufacturer shall have sole responsibility for issuing this declaration of conformity.

Signed for and on behalf of:

Neuss, 13/10/2017

**BEKO TECHNOLOGIES GMBH**

i.V. Christian Riedel  
Head of International Quality Management

---

## A

Accessories 29  
Accessory sets 29  
Alarm mode 12  
Angle adapter 28

## B

blows off 27  
Both LEDs are continuously on 27

## C

Circuit board 28  
Climate zone  
    blue 10  
    green 10  
    red 10  
Climate zones 10  
Components 28  
Condensate discharge disturbed 27

## D

Danger compressed air 4, 14, 21  
Danger supply voltage 5, 17, 21  
Data 7  
Declaration of conformity 30  
Deflector area 16  
Degree of protection 5, 17, 21  
Dimension drawing 9  
Dimensions 9

## E

Electric diagram 20  
Electrical data 8  
Electrical installation 17  
Elements 28  
Exclusion from the scope of application 6  
Exclusion of a field of application 6

## F

Failure 27  
Fault clearance 27  
Fault diagnosis 27  
Fault elimination 27  
Feed pipe 16  
Field of application 6  
Filling level 11  
Function 11

## I

Inlet line 11  
Inspection 21  
Installation 14  
Installation and operating instructions 4

Installation and operating instructions 4  
Instructions, safety instructions 4  
Intermediate adapter 28

## L

Lower part of the cover 28

## M

Maintenance 21  
Maintenance recommendation 22  
Malfunction 27  
Membrane 11  
Mounting 14

## N

No condensate discharge 27  
No LED lights up 27

## O

Order number 28, 29  
Outlet line 11

## P

Performance data 10  
Pictograms 4  
Pilot valve 11  
Pressure differences 16  
Proper use 6

## Q

Qualified personnel 5, 17, 21

## R

Recommended spare parts 28

## S

Safety instructions 4  
Self-test 12  
Sensor 28  
Sensor tube plate 26  
Service measures 4, 14, 21  
Service unit 22, 28  
Sets of spare parts 28  
Slope 16  
Spare parts 5, 28  
Symbols 4

## T

Technical data 7  
Trouble sources 12  
Troubleshooting 27

## U

Upper part of the cover 28

## V

Venting line 16



---

**W**

Water pocket 16





**Headquarter**

Deutschland / Germany  
 BEKO TECHNOLOGIES GMBH  
 Im Taubental 7  
 D - 41468 Neuss  
 Tel. +49 2131 988 0  
 Mobil +49 / (0) 174 / 376 03 13  
[beko@beko-technologies.de](mailto:beko@beko-technologies.de)

**United Kingdom**

BEKO TECHNOLOGIES LTD.  
 Unit 11-12 Moons Park  
 Burnt Meadow Road  
 North Moons Moat  
 Redditch, Worcs, B98 9PA  
 Tel. +44 1527 575 778  
[info@beko-technologies.co.uk](mailto:info@beko-technologies.co.uk)

**France**

BEKO TECHNOLOGIES S.à.r.l.  
 Zone Industrielle  
 1 Rue des Frères Rémy  
 F - 57200 Sarreguemines  
 Tél. +33 387 283 800  
[info@beko-technologies.fr](mailto:info@beko-technologies.fr)

**Benelux**

BEKO TECHNOLOGIES B.V.  
 Veenen 12  
 NL - 4703 RB Roosendaal  
 Tel. +31 165 320 300  
[benelux@beko-technologies.com](mailto:benelux@beko-technologies.com)

中华人民共和国 / **China**

BEKO TECHNOLOGIES (Shanghai) Co.  
 Ltd.  
 Rm. 606 Tomson Commercial Building  
 710 Dongfang Rd.  
 Pudong Shanghai China  
 P.C. 200122  
 Tel. +86 21 508 158 85  
[info.cn@beko-technologies.cn](mailto:info.cn@beko-technologies.cn)

**Česká Republika / Czech Republic**

BEKO TECHNOLOGIES s.r.o.  
 Na Pankraci 58  
 CZ - 140 00 Praha 4  
 Tel. +420 24 14 14 717 /  
 +420 24 14 09 333  
 Mobil +420 605 274 743  
[info.cz@beko-technologies.cz](mailto:info.cz@beko-technologies.cz)

**España / Spain**

BEKO Tecnológica España S.L.  
 Torruella i Urpina 37-42, nave 6  
 E - 08758 Cervelló  
 Tel. +34 93 632 76 68  
 Mobil +34 610 780 639  
[info.es@beko-technologies.es](mailto:info.es@beko-technologies.es)

## 中華人民共和國香港特別行政區 /

**Hong Kong SAR of China**  
 BEKO TECHNOLOGIES LIMITED  
 Unit 1010 Miramar Tower  
 132 Nathan Rd.  
 Tsim Sha Tsui Kowloon Hong Kong  
 Tel. +852 5578 6681 (Hong Kong)  
 Tel. +86 147 1537 0081 (China)  
[tim.chan@beko-technologies.com](mailto:tim.chan@beko-technologies.com)

**India**

BEKO COMPRESSED AIR  
 TECHNOLOGIES Pvt. Ltd.  
 Plot No.43/1 CIEEP Gandhi Nagar  
 Balanagar Hyderabad  
 IN - 500 037  
 Tel +91 40 23080275 / +91 40 23081107  
[madhusudan.masur@bekoindia.com](mailto:madhusudan.masur@bekoindia.com)

**Italia / Italy**

BEKO TECHNOLOGIES S.r.l  
 Via Peano 86/88  
 I - 10040 Leini (TO)  
 Tel. +39 011 4500 576  
 Fax +39 0114 500 578  
[info.it@beko-technologies.com](mailto:info.it@beko-technologies.com)

日本 / **Japan**

BEKO TECHNOLOGIES K.K  
 KEIHIN THINK Building 8 Floor  
 1-1 Minamiwatarida-machi  
 Kawasaki-ku, Kawasaki-shi  
 JP - 210-0855  
 Tel. +81 44 328 76 01  
[info@beko-technologies.jp](mailto:info@beko-technologies.jp)

**Polska / Poland**

BEKO TECHNOLOGIES Sp. z o.o.  
 ul. Pańska 73  
 PL - 00-834 Warszawa  
 Tel. +48 22 314 75 40  
 Mobil +49 173 28 90 700  
[info.pl@beko-technologies.pl](mailto:info.pl@beko-technologies.pl)

**South East Asia**

BEKO TECHNOLOGIES S.E.Asia  
 (Thailand) Ltd.  
 75/323 Soi Romklao, Romklao Road  
 Sansab Minburi  
 Bangkok 10510  
 Tel. +66 2-918-2477  
[info.th@beko-technologies.com](mailto:info.th@beko-technologies.com)

臺灣 / **Taiwan**

BEKO TECHNOLOGIES Co.,Ltd  
 16F.-5 No.79 Sec.1  
 Xintai 5th Rd., Xizhi City  
 New Taipei City 221  
 Taiwan (R.O.C.)  
 Tel. +886 2 8698 3998  
[info.tw@beko-technologies.tw](mailto:info.tw@beko-technologies.tw)

**USA**

BEKO TECHNOLOGIES CORP.  
 900 Great Southwest Pkwy SW  
 US - Atlanta, GA 30336  
 Tel. +1 404 924-6900  
 Fax +1 (404) 629-6666  
[beko@bekousa.com](mailto:beko@bekousa.com)

Translation of the original manual/instructions.

Original instructions are in German.

Subject to technical modifications without notice / errors excepted.

bekomat\_33u\_co\_manual\_en\_01-1619\_v01.